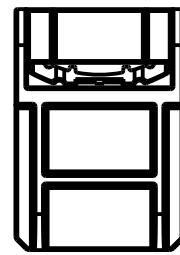


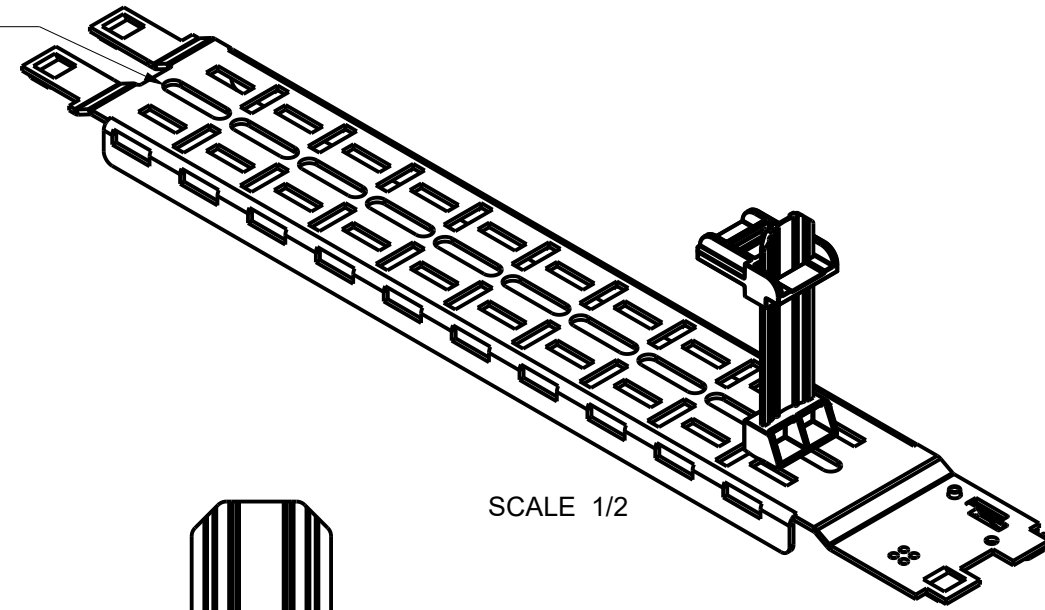
NOTE(S):  
 1. ALL DIMENSIONS SHOWN IN FORMAT:  
 INCHES [MILLIMETERS]  
 2. WEIGHT CAPACITY: 5 LB / EACH

REV	DESCRIPTION	REV BY	REV DATE	APP'D BY	DATE APP.
A	PRODUCTION RELEASE	///	////	MC	05/14/19
B	EC15765 ADDED SHEET 4 FWD-SBKT-36	RA	10/18/23	MR	10/18/23

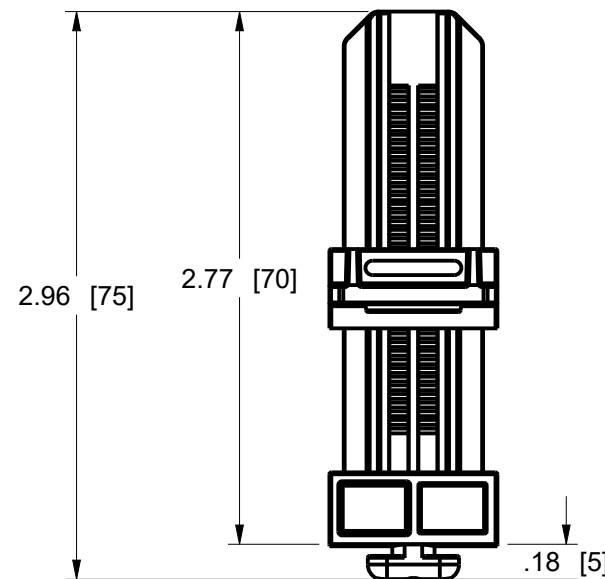
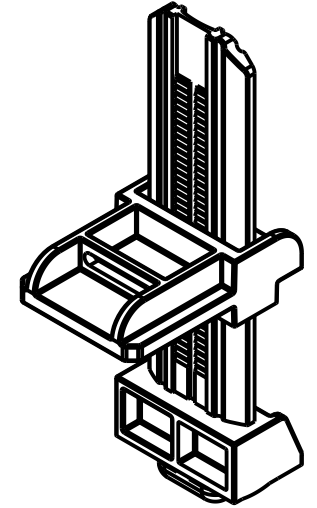
ALL SMALL DEVICE MOUNTING AND  
 CABLE MANAGEMENT SOLUTIONS FIT IN  
 0.22 [6] X 0.48 [12] (MIN) OBOURD



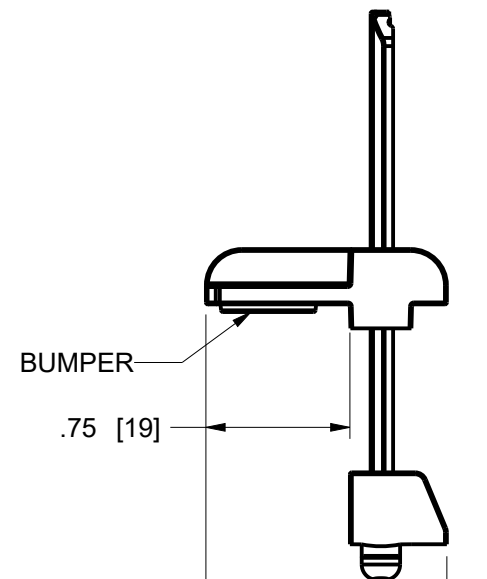
TOP VIEW



SCALE 1/2

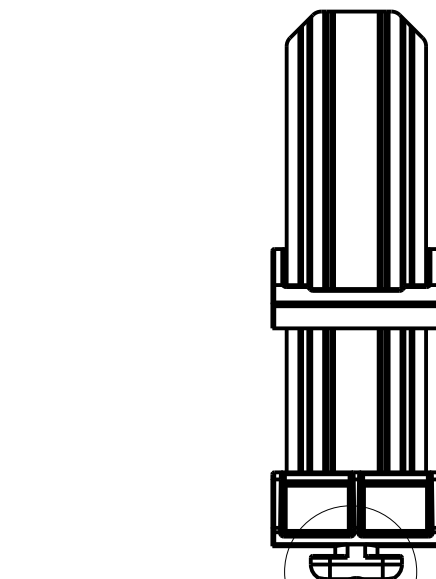


FRONT VIEW



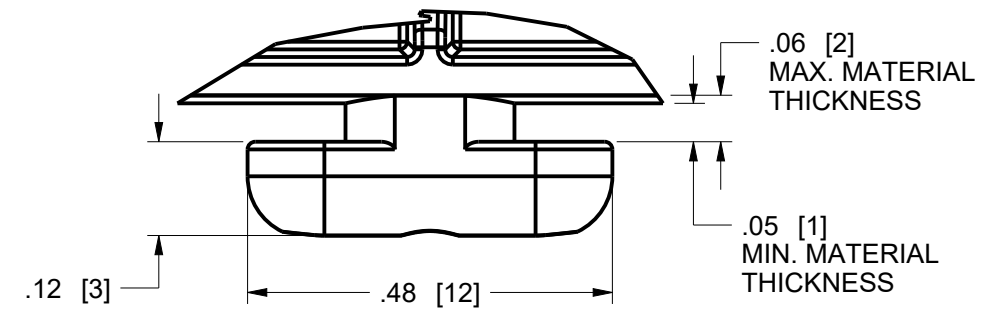
BUMPER

SIDE VIEW

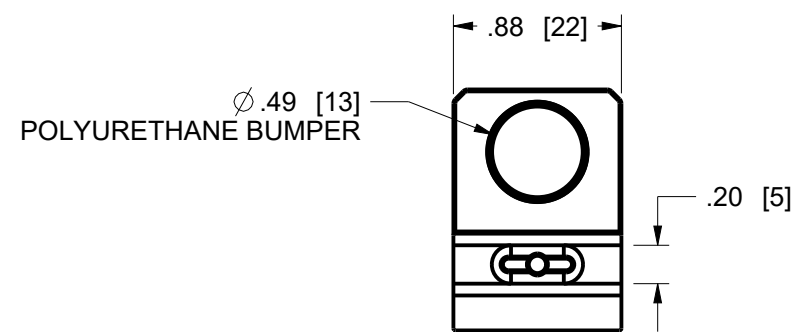


SEE DETAIL A

BACK VIEW

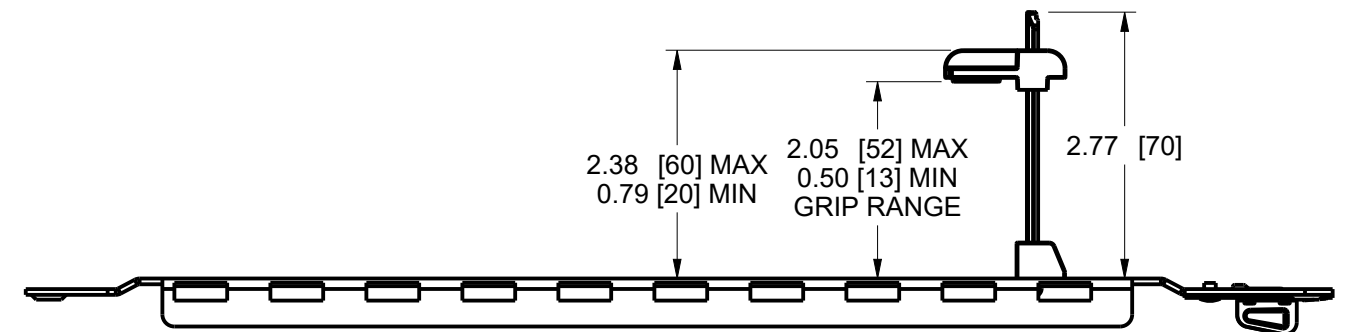


DETAIL A  
 SCALE 4/1



POLYURETHANE BUMPER

BOTTOM VIEW



2.38 [60] MAX  
 0.79 [20] MIN  
 2.05 [52] MAX  
 0.50 [13] MIN  
 GRIP RANGE

PROJECTION: 1" ANGLE	UNLESS OTHERWISE SPECIFIED, ALL DIMENSIONS ARE IN INCHES
SCALE = 1/2	GENERAL TOLERANCES:
SIZE B	DEC: 1 PLACE +/-0.1 ANGLE: +/-1°
SHEET 1 OF 4	2 PLACE +/-0.03 FRAC: +/-1/32
	3 PLACE +/-0.010
	HOLE SIZE: +/-0.002

APPROVALS	DATE
MODELED SB	05/03/19
DRAWN SB	05/03/19

**MIDDLE ATLANTIC**

TITLE	FORWARD - SMALL DEVICE MOUNTING AND CABLE MANAGEMENT
DWG NO.	120-00007
DWG REV	B

THIS DRAWING CONTAINS TRADE INFORMATION DEEMED TO BE CONFIDENTIAL AND PROPRIETARY PROPERTY OF MIDDLE ATLANTIC PRODUCTS, INC. AND IS TO BE USED ONLY FOR THE PURPOSES FOR WHICH IT IS SUBMITTED AND FURTHER SHALL NOT BE COPIED IN WHOLE OR PART WITHOUT WRITTEN PERMISSION FIRST OBTAINED FROM MIDDLE ATLANTIC PRODUCTS, INC.

1

2

3

4

5

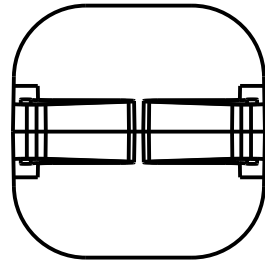
6

7

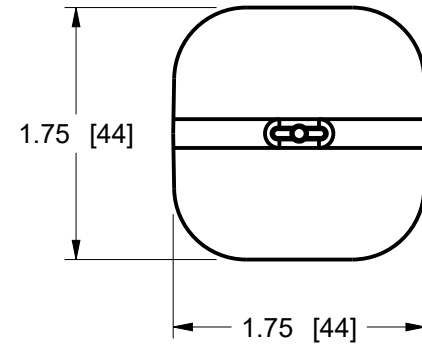
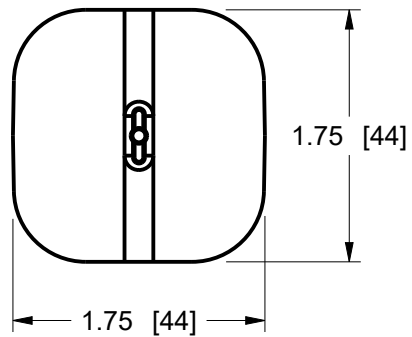
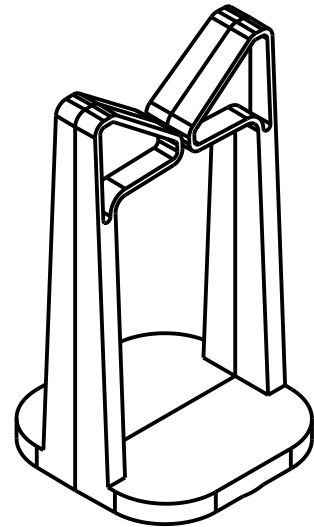
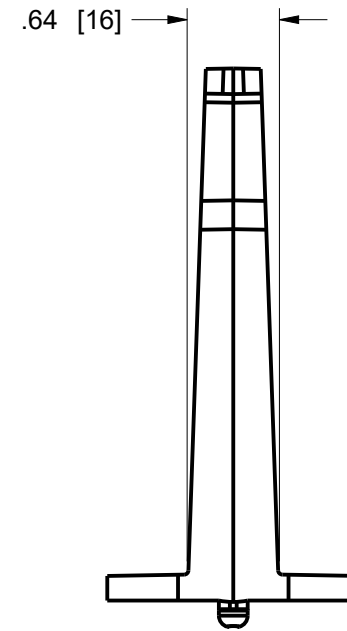
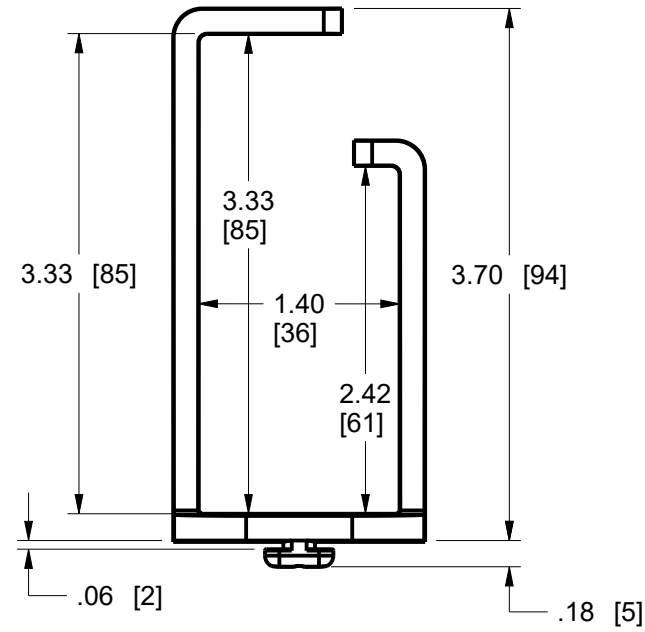
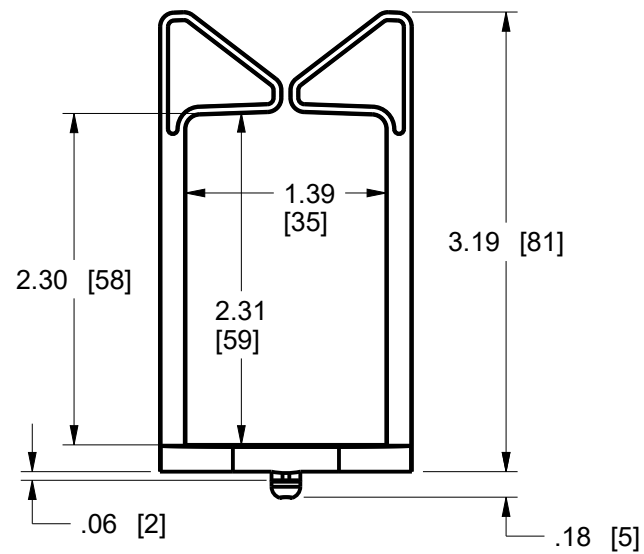
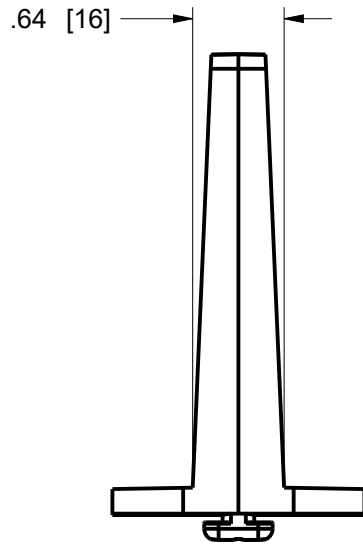
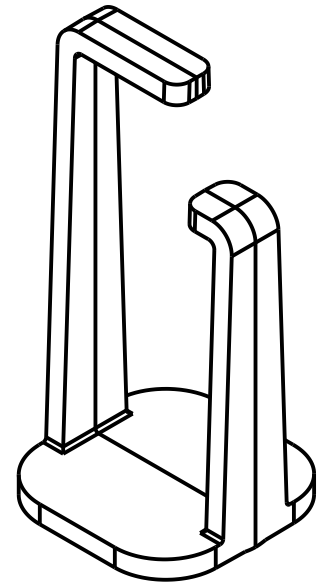
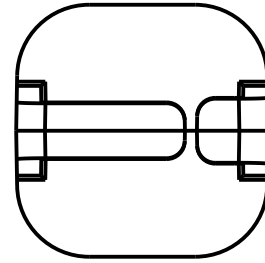
8

- NOTE(S):
1. ALL DIMENSIONS SHOWN IN FORMAT: INCHES [MILLIMETERS]
  2. ALL SMALL DEVICE MOUNTING AND CABLE MANAGEMENT SOLUTIONS FIT IN 0.22 [6] X 0.48 [12] (MIN) OBOURND
  3. FWD-C-RING CAPACITY IS 3.2 SQ IN. USABLE AREA
  4. FWD-D-RING CAPACITY IS 3.4 SQ IN. USABLE AREA

FWD-C-RING



FWD-D-RING



PROJECTION: 1" ANGLE	UNLESS OTHERWISE SPECIFIED, ALL DIMENSIONS ARE IN INCHES GENERAL TOLERANCES: DEC: 1 PLACE +/-0.1 ANGLE: +/-1° 2 PLACE +/-0.03 FRAC: +/-1/32 3 PLACE +/-0.010 HOLE SIZE: +/-0.002
SCALE = 3/4	

APPROVALS	DATE
MODELED NC	11/30/18
DRAWN SB	05/03/19

**MIDDLE ATLANTIC**

TITLE FORWARD - SMALL DEVICE MOUNTING AND CABLE MANAGEMENT	
DWG NO. 120-00007	DWG REV B

SIZE B SHEET 2 OF 4

THIS DRAWING CONTAINS TRADE INFORMATION DEEMED TO BE CONFIDENTIAL AND PROPRIETARY PROPERTY OF MIDDLE ATLANTIC PRODUCTS, INC. AND IS TO BE USED ONLY FOR THE PURPOSES FOR WHICH IT IS SUBMITTED AND FURTHER SHALL NOT BE COPIED IN WHOLE OR PART WITHOUT WRITTEN PERMISSION FIRST OBTAINED FROM MIDDLE ATLANTIC PRODUCTS, INC.

1

2

3

4

5

6

7

8

NOTE(S):  
 1. ALL DIMENSIONS SHOWN IN FORMAT:  
 INCHES [MILLIMETERS]  
 2. ALL SMALL DEVICE MOUNTING AND  
 CABLE MANAGEMENT SOLUTIONS FIT IN  
 0.22 [6] X 0.48 [12] (MIN) OBOURND

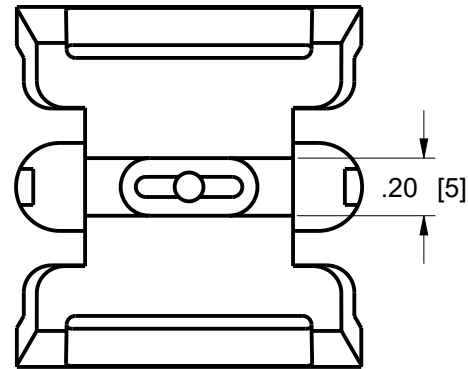
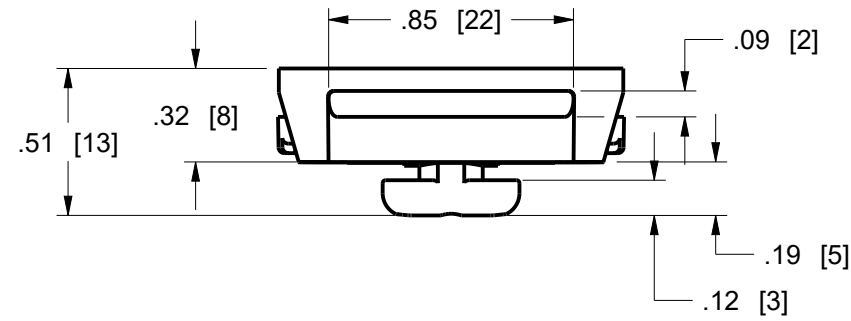
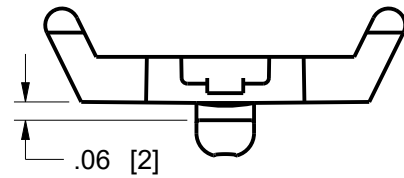
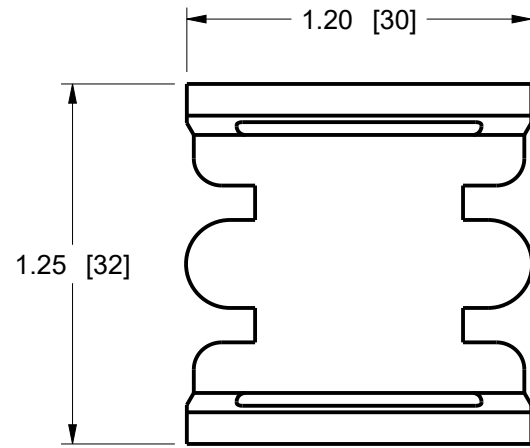
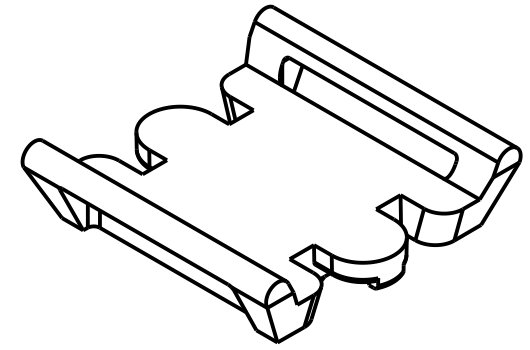
A


B

C

D

E



PROJECTION: 1" ANGLE  
  
 SCALE = 3/2  
 SHEET 3 OF 4

UNLESS OTHERWISE SPECIFIED, ALL DIMENSIONS ARE IN INCHES  
 GENERAL TOLERANCES:  
 DEC: 1 PLACE +/-0.1 ANGLE: +/-1°  
 2 PLACE +/-0.03 FRAC: +/-1/32  
 3 PLACE +/-0.010  
 HOLE SIZE: +/-0.002

APPROVALS		DATE
MODELED	NC	10/26/18
DRAWN	SB	05/03/19

**MIDDLE ATLANTIC**  
Middle Atlantic

TITLE FORWARD - SMALL DEVICE MOUNTING AND CABLE MANAGEMENT	
DWG NO. 120-00007	DWG REV B

1

2

3

4

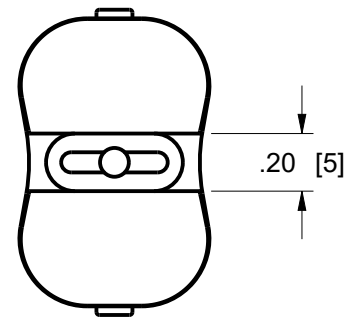
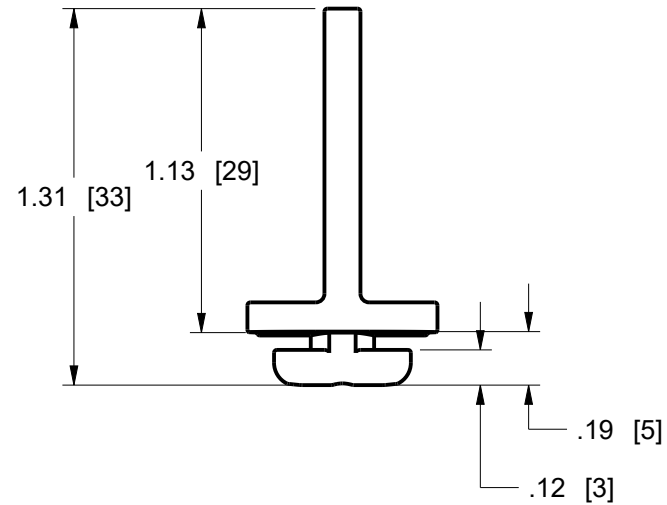
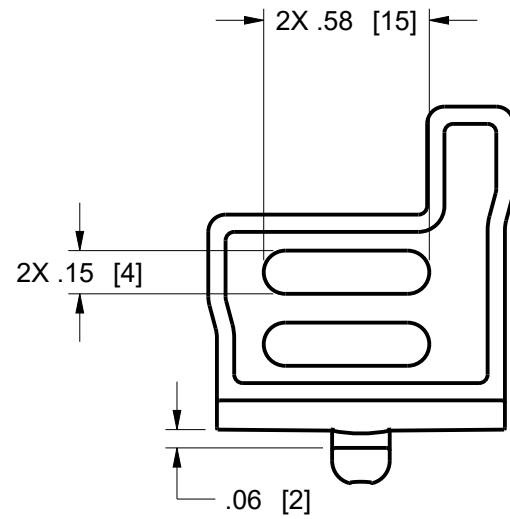
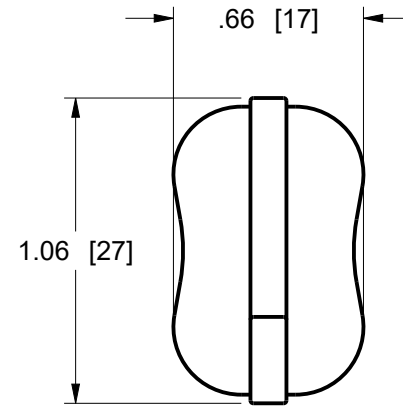
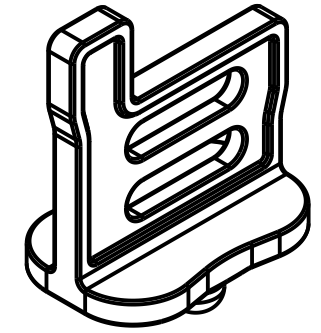
5

6

7

8

NOTE(S):  
 1. ALL DIMENSIONS SHOWN IN FORMAT:  
 INCHES [MILLIMETERS]  
 2. ALL SMALL DEVICE MOUNTING AND  
 CABLE MANAGEMENT SOLUTIONS FIT IN  
 0.22 [6] X 0.48 [12] (MIN) OBOURD



PROJECTION: 1" ANGLE  
 SCALE = 3/2  
 SHEET 4 OF 4

UNLESS OTHERWISE SPECIFIED, ALL DIMENSIONS ARE IN INCHES  
 GENERAL TOLERANCES:  
 DEC: 1 PLACE +/-0.1 ANGLE: +/-1°  
 2 PLACE +/-0.03 FRAC: +/-1/32  
 3 PLACE +/-0.010  
 HOLE SIZE: +/-0.002

APPROVALS		DATE
MODELED	LM	02/11/16
DRAWN	SB	05/03/19

**MIDDLE ATLANTIC**

TITLE FORWARD - SMALL DEVICE MOUNTING AND CABLE MANAGEMENT	
DWG NO. 120-00007	DWG REV B

THIS DRAWING CONTAINS TRADE INFORMATION DEEMED TO BE CONFIDENTIAL AND PROPRIETARY PROPERTY OF MIDDLE ATLANTIC PRODUCTS, INC. AND IS TO BE USED ONLY FOR THE PURPOSES FOR WHICH IT IS SUBMITTED AND FURTHER SHALL NOT BE COPIED IN WHOLE OR PART WITHOUT WRITTEN PERMISSION FIRST OBTAINED FROM MIDDLE ATLANTIC PRODUCTS, INC.