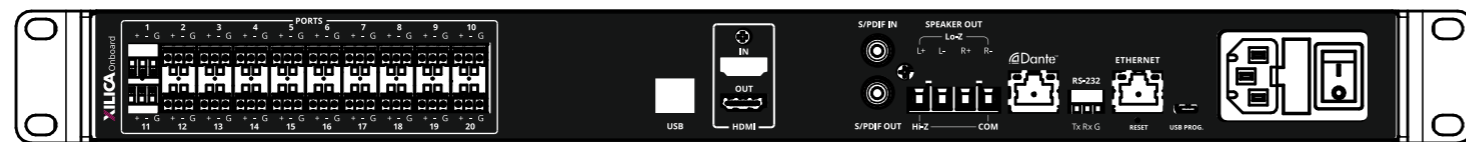
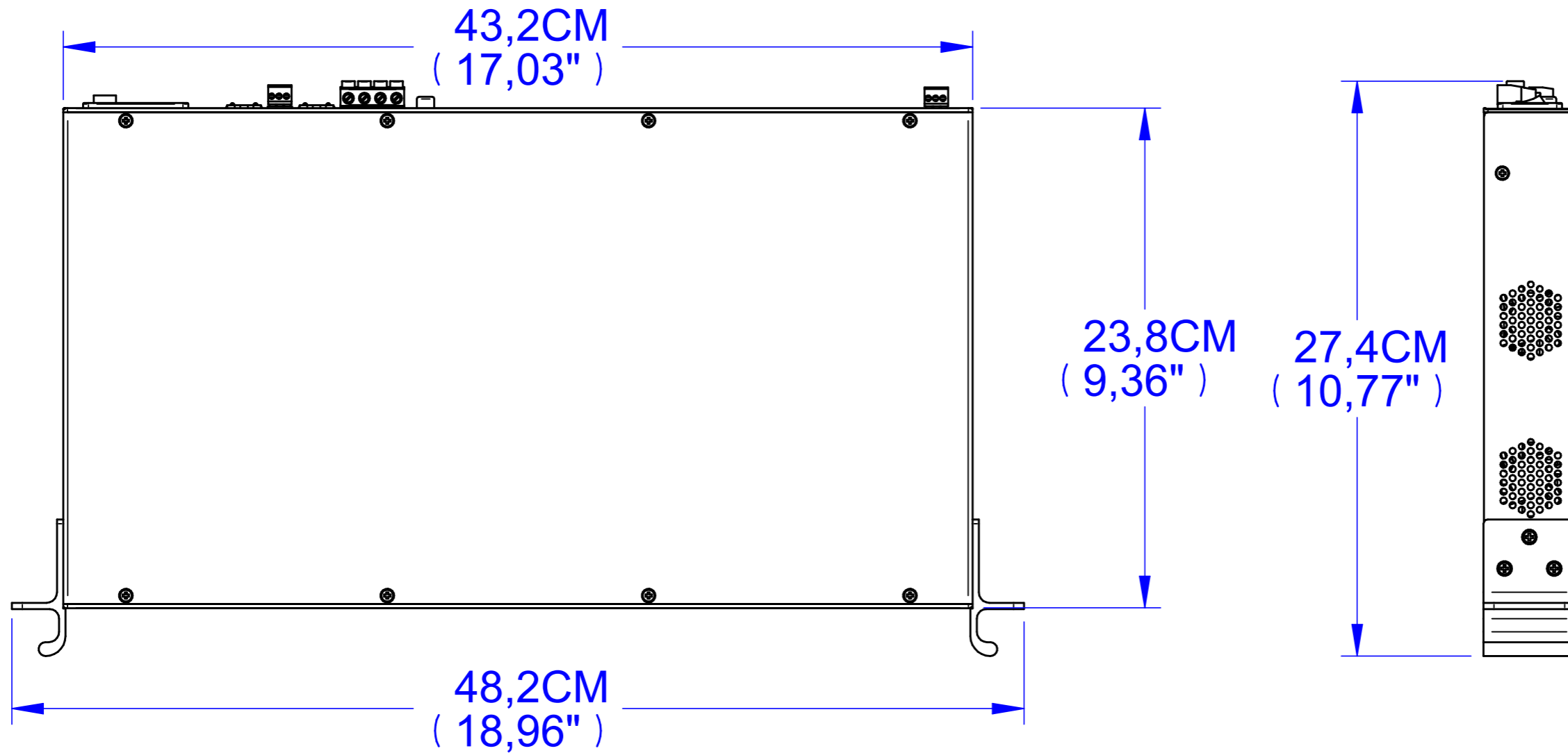
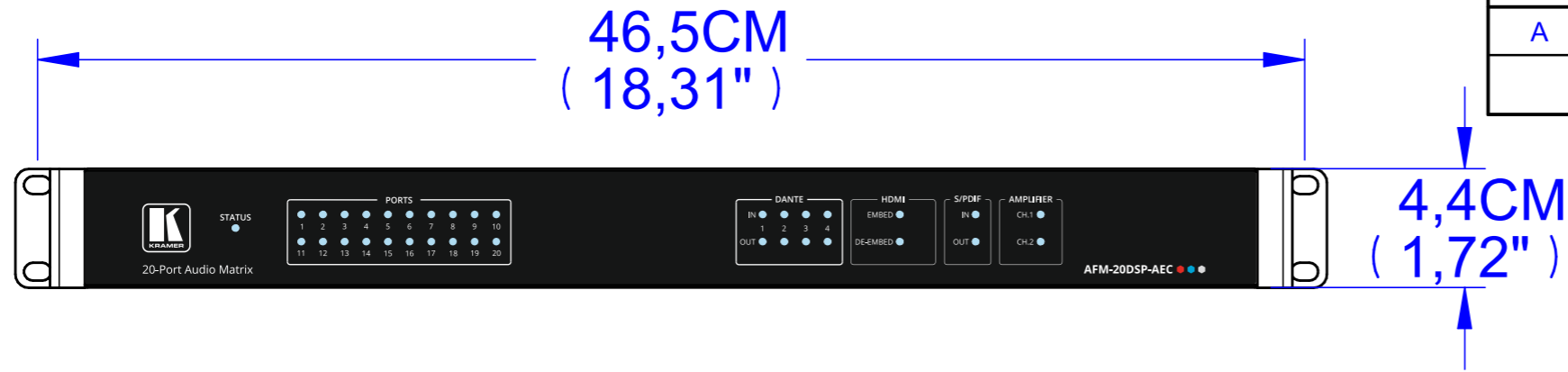




REV.	DESCRIPTION	ECO NO.	UPDATE BY	DATE	APPROVED
A	DRAWING RELEASE	016726	GLEB	03/09/20	ODED



	NAME	DATE	 KRAMER ELECTRONICS LTD. JERUSALEM, ISRAEL		
DRAWN	gdanilenko	16/09/2019			
APPROVED	RADU N.	16/09/2019			
SHEET 1 OF 1	Project : AFM-20DSP-AEC		SIZE A3	KRAMER DRW.: OI000298	REV. A