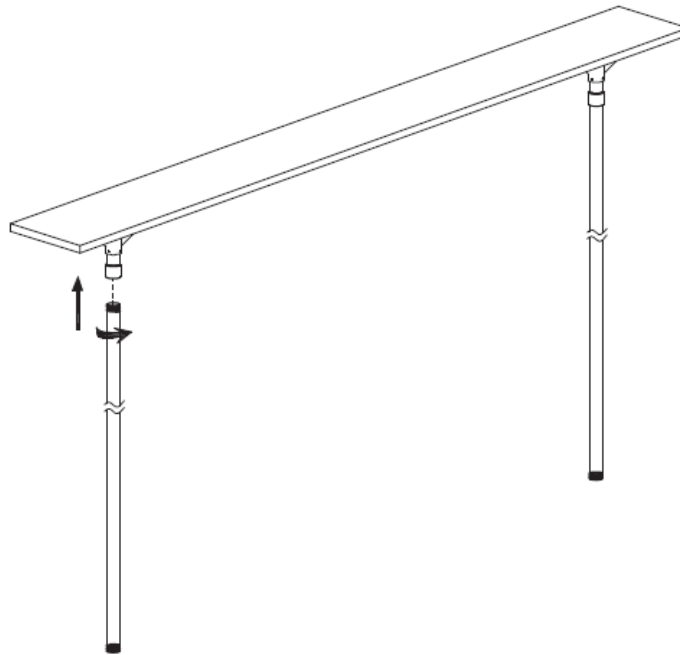
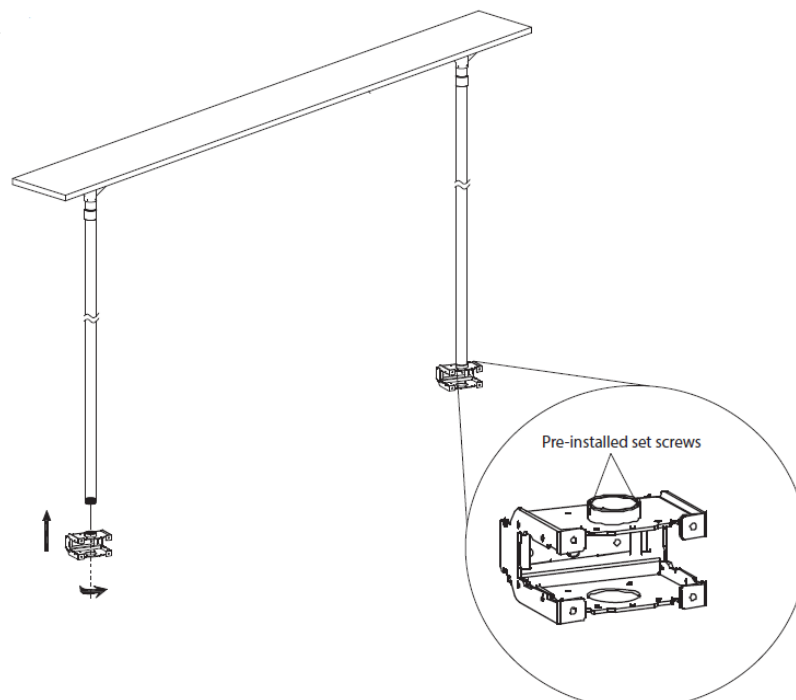


# CM Custom System Installation

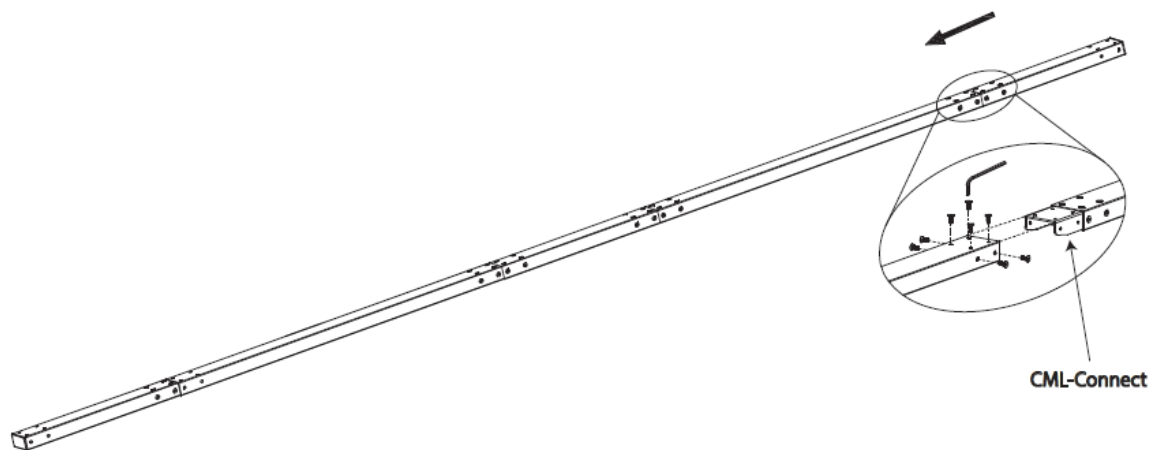
1. Please check on your custom drawing:
  - A) With the use of CML-CARH - continue to step 2;
  - B) Through hole installation - continue to page 6.
2. Attach adjustable pipes to ceiling adapters and adjust to desired height.



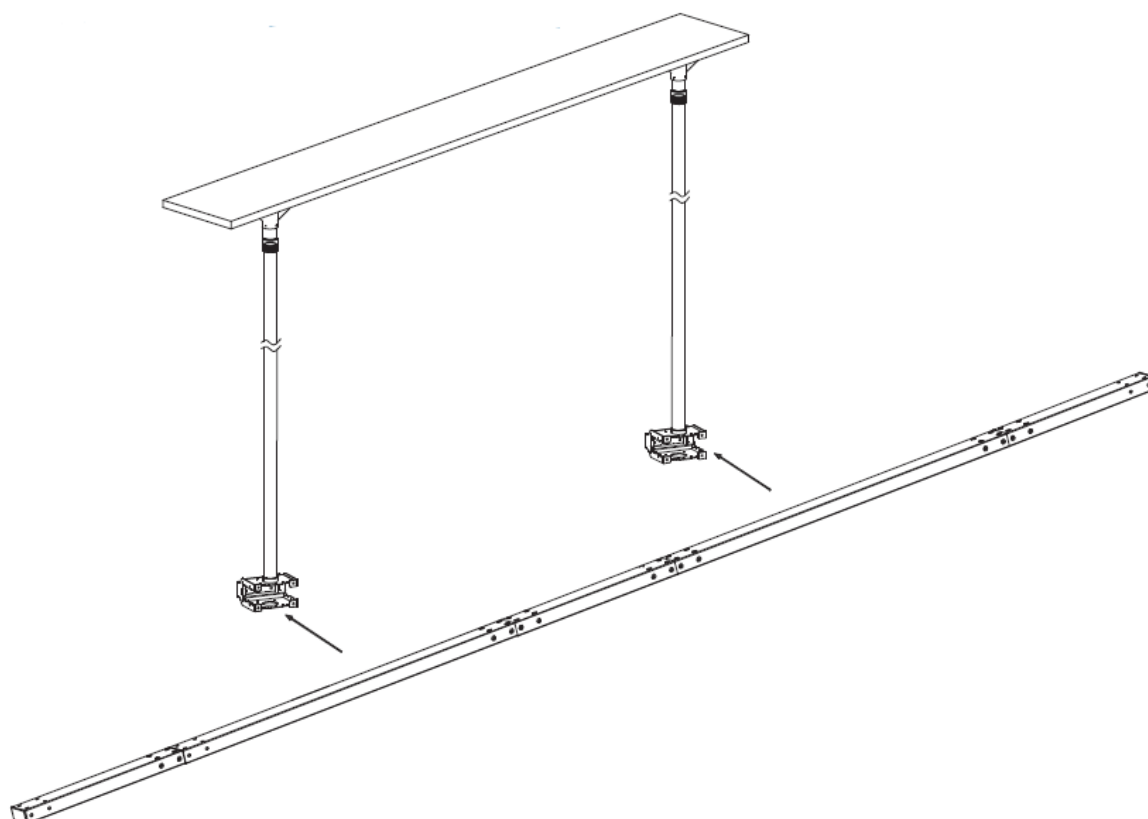
3. Attach CML-CARH to pipes and secure with pre-installed set screws.



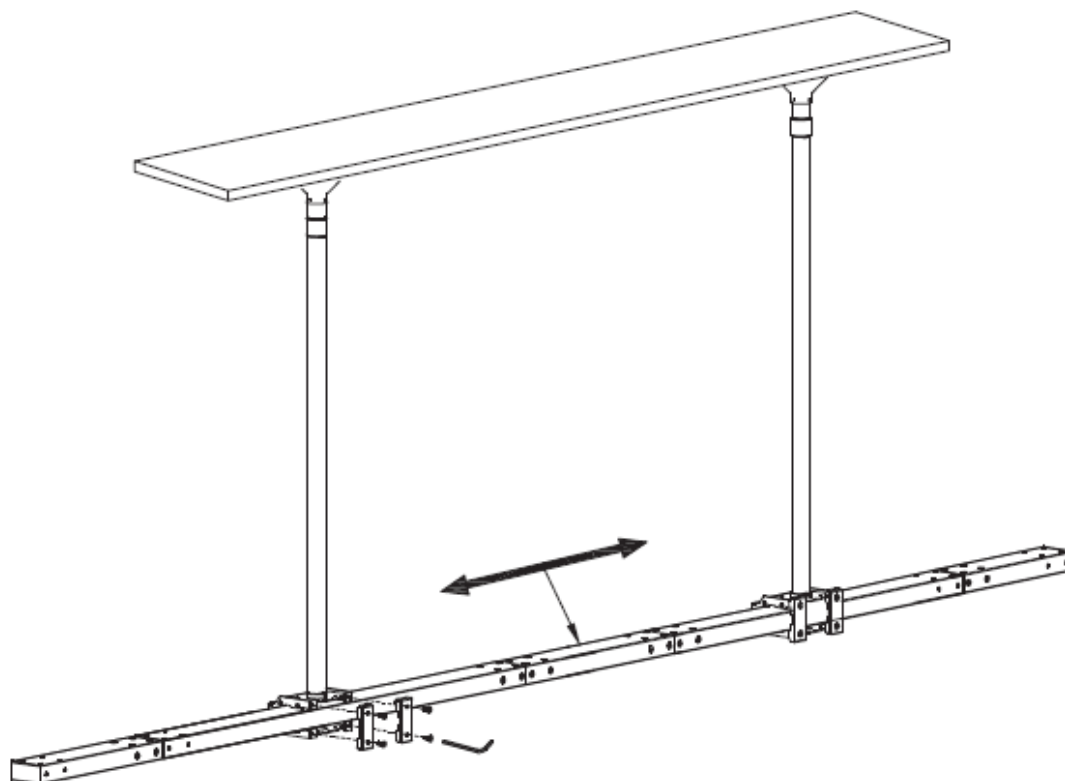
4. Attach CML-55NH and CML-26NH using CML-CONNECT and supplied screws.



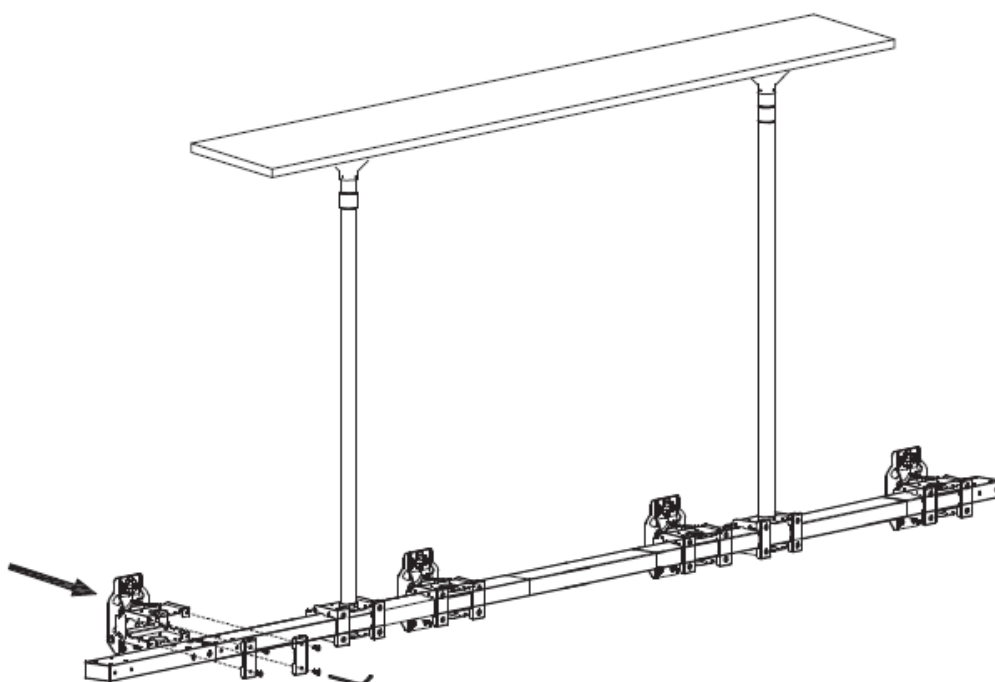
5. Slide completed vertical into CML- CARH and center.



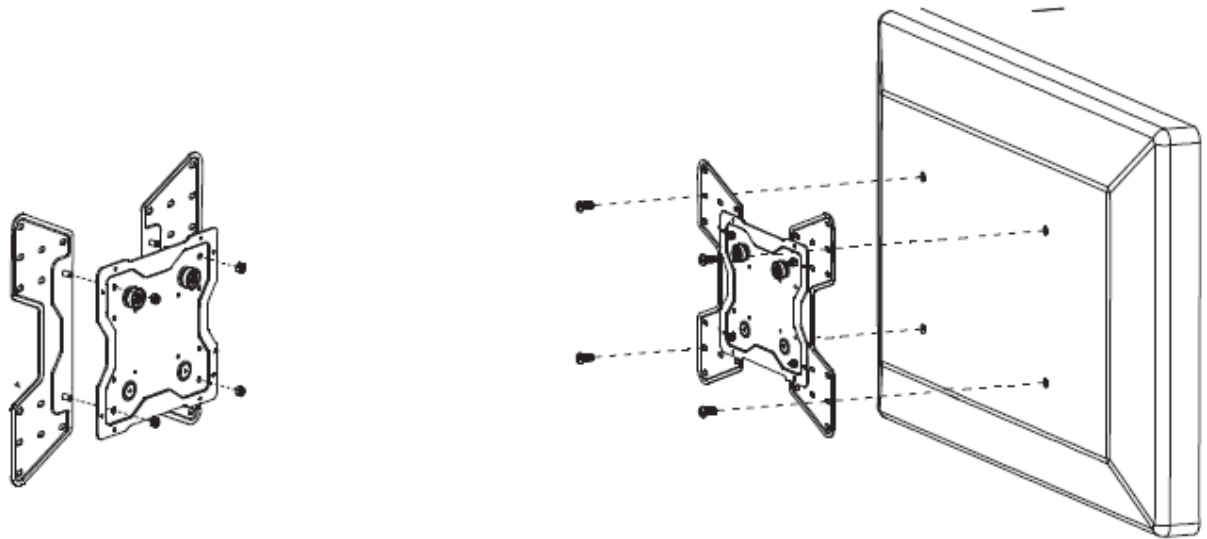
6. Attach vertical to CM-CARH with brackets and screws. Tighten screws to secure in place.



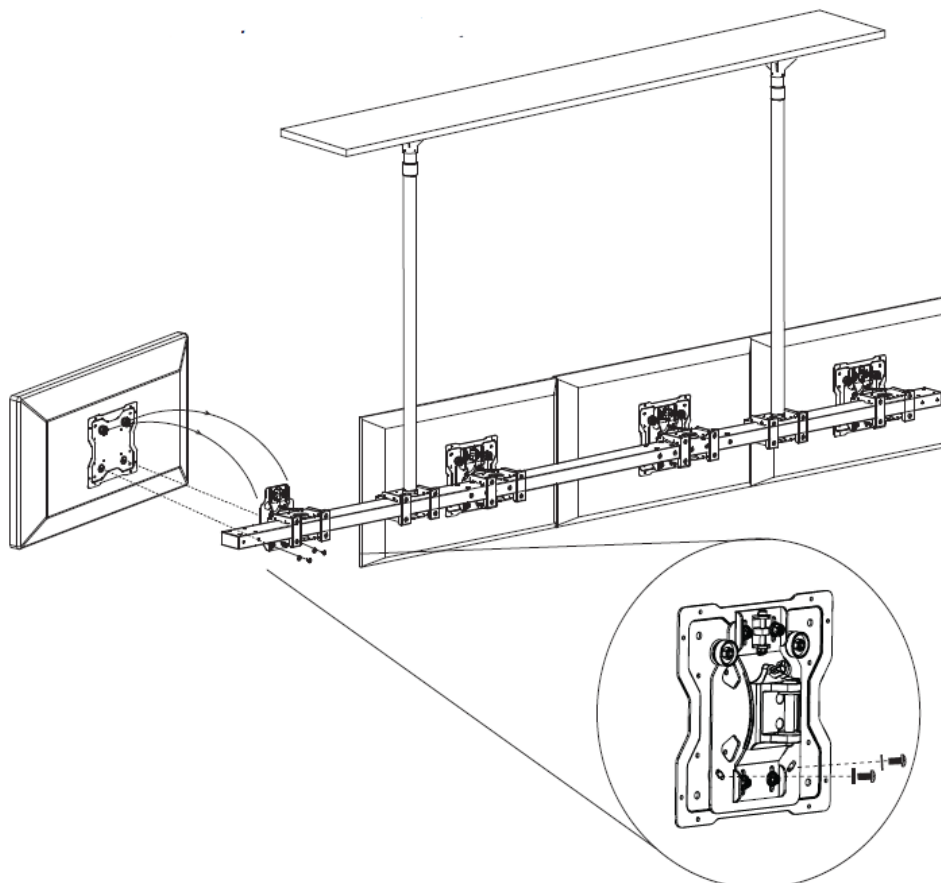
7. Attach CM-CARTV to vertical with brackets and screws. Do not tighten fully. This will allow adjustment vertically for different TV sizes.



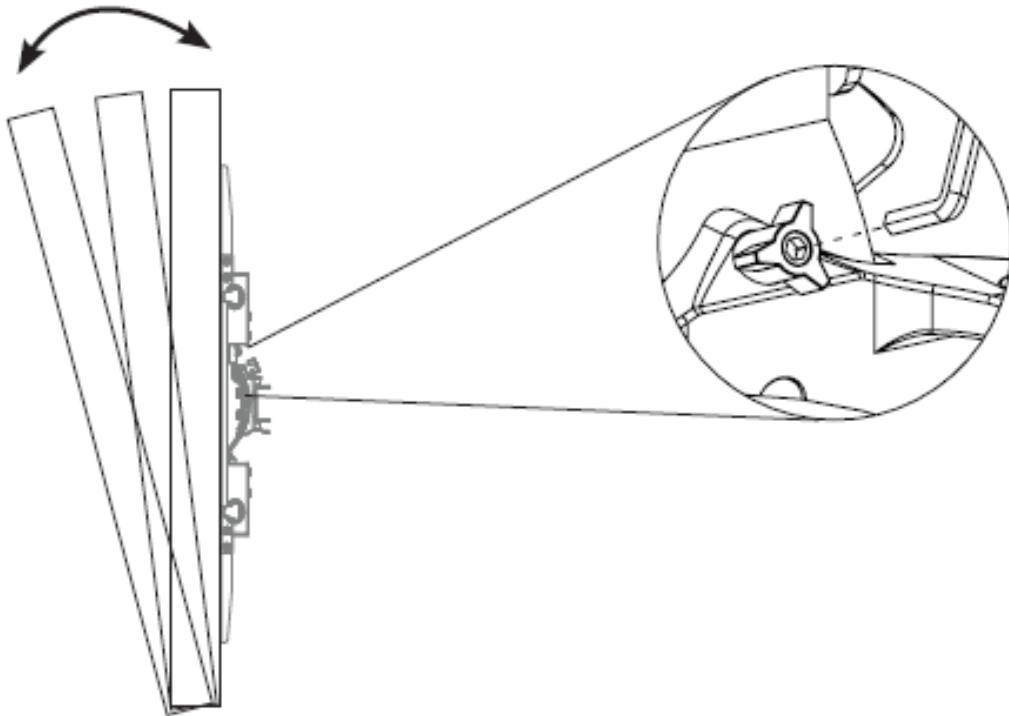
8. Attach AD400 adapter to TV mount plate. Next, attach mount plate to TV with supplied screws.



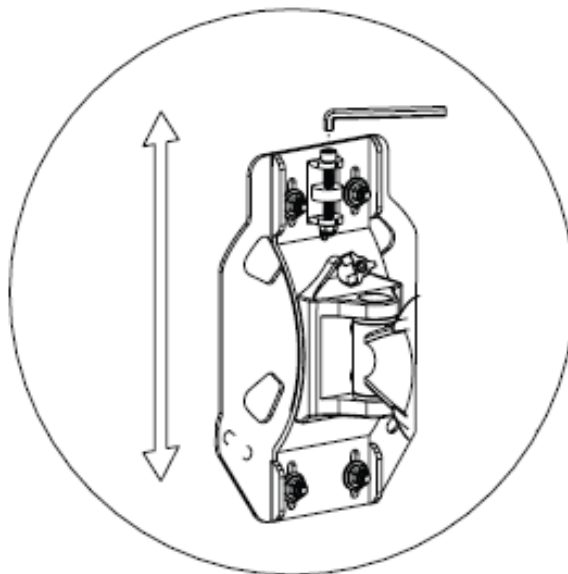
9. Hook TVs onto CM-CARTV and secure into place with washers and screws (Level TVs before tightening screws fully). Slide monitors together to eliminate gaps between TVs and then tighten brackets from step 7 fully to secure into place.



10. Adjust tilt to desired position. Tighten knob with wrench to lock into place.

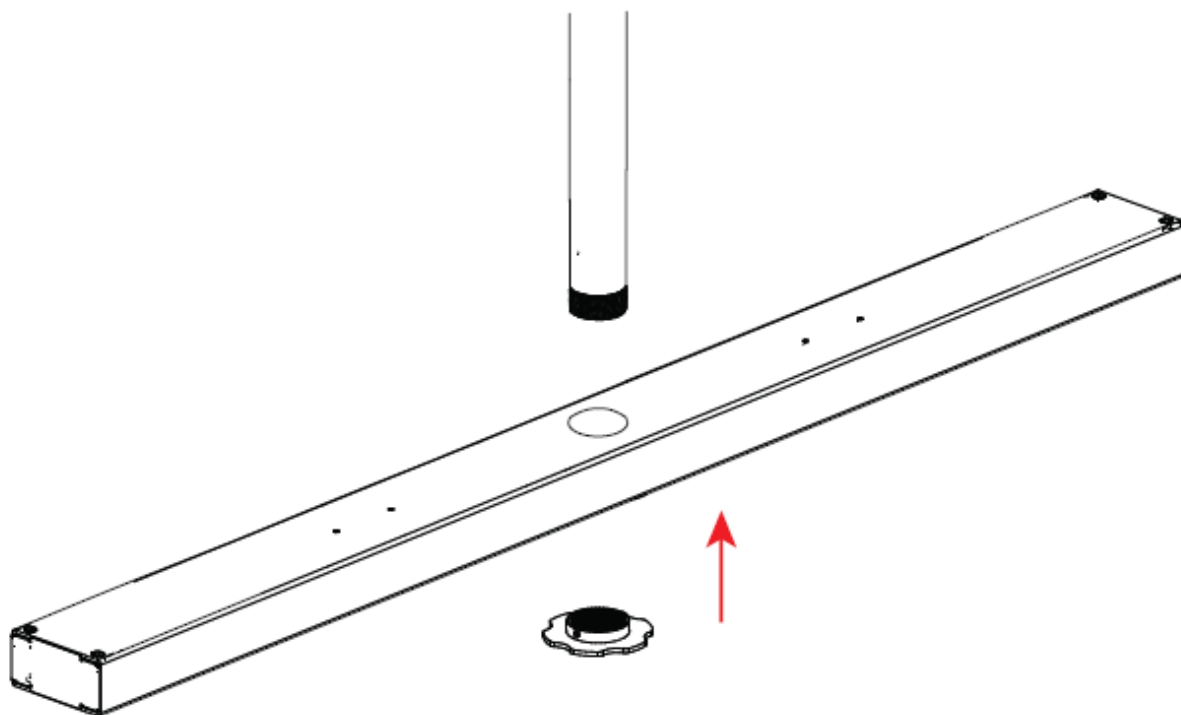


11. Each CM-CARTV has independent vertical micro-adjustments. If necessary, align TVs vertically using supplied wrench to raise or lower.

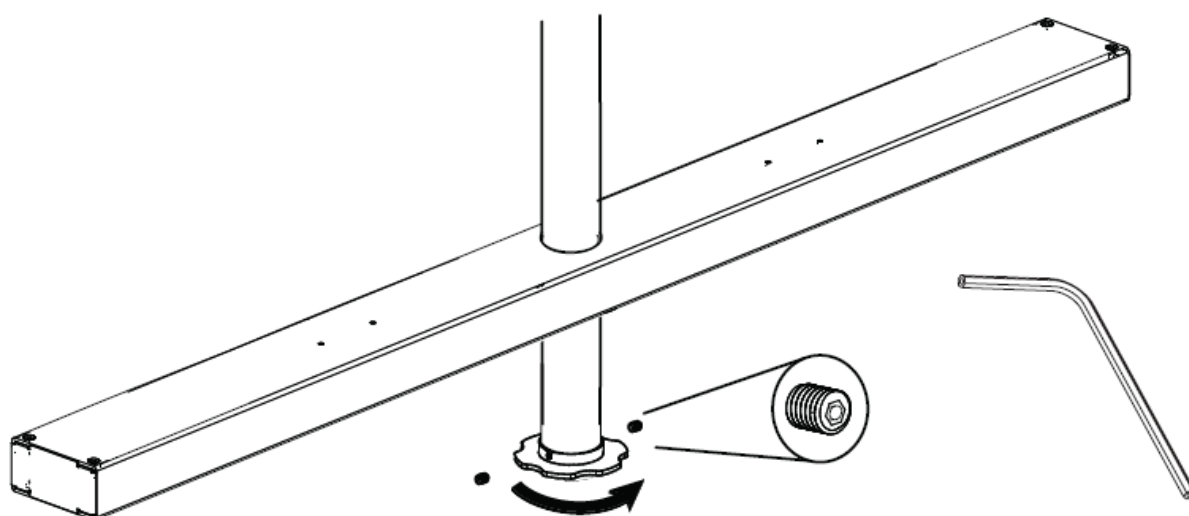


## Through Hole Installation

Slide horizontal assembly onto end of extension pipe followed by retaining collar.



Tighten retaining collar by making several turns and lock into place using two security set screws.



Repeat steps 6-11