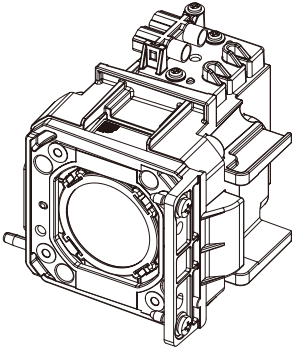


Operating Instructions

Replacement lamp unit

Model No. ET-LAD120 (1 pc)
ET-LAD120W (2 pcs)



Thank you for purchasing this Panasonic product.

- Please read these operating instructions and the projector operating instructions carefully, and then use this product correctly.
- **Before using this product, be sure to read "Read this first!" (→Page 2).**
- Please save this manual for future use.

This lamp is used in projectors.

It is not intended to be used for indoor lighting of ordinary homes.

2009 / 125 / EC

Product information (for Turkey only)

EEE Yönetmeliğine Uygundur.

EEE Complies with Directive of Turkey.

Read this first!

Always follow these precautions

WARNING:

Before replacing the lamp unit and air filter, be sure to turn the power off and to disconnect the power plug from the power outlet.

- Electric shocks or lamp breakage can result if this is not done.

Do not disassemble the lamp unit.

- If the lamp breaks, it could cause injury.

When replacing the lamp unit, turn the power off and allow the lamp to cool for at least one hour before handling it.

- The cover reaches a very high temperature, so failure to observe this will cause burns.

CAUTION:

Do not touch the fan with your fingers or any other parts of your body when replacing the lamp unit and air filter.

- Doing so can cause injury.

NOTICE

For USA only

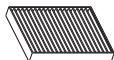
Hg-LAMP CONTAINS MERCURY, Manage in Accord with Disposal Laws.

See: www.lamprecycle.org or 1-888-411-1996

Accessories

Check that the following accessories are included.

Air filter



- 1 air filter is included with the ET-LAD120 and 2 air filters are included with the ET-LAD120W.

Replacing the lamp unit and air filter

- Be sure to turn off the power before replacing the lamp unit and air filter.
- When switching off the projector, make sure to follow the procedures in “Switching off the projector” (➔ page 3).

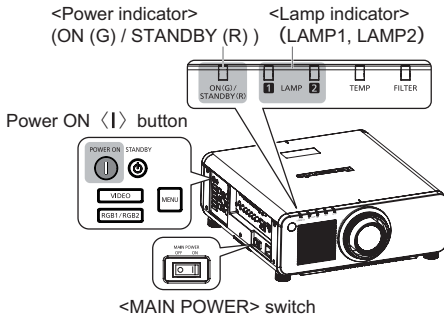
Before replacing the lamp unit and air filter

■ Checking the lamp unit to be replaced

Check the status of the lamp indicators <LAMP1>/<LAMP2>.

- The lamp unit corresponding to the lamp indicator that is lit in red is required to be replaced.

Main unit operating part



Attention

- Panasonic shall not be responsible for damages or malfunctioning of the product due to the use of other than a Panasonic lamp unit. Use only specified lamp units.
- Do not use replacement lamp units (for portrait mode) and normal lamp units together. Check the product number on the label attached to the replacement lamp unit.
- A replacement lamp unit (for portrait mode) must be used when installing in a portrait orientation.
- Do not install the projector in any orientation other than portrait when using a replacement lamp unit (for portrait mode).
- When replacing the lamp unit, please also replace the air filter on the relevant side.
- Since the luminous lamp is made of glass, it may burst if dropped or hit with a hard object. Please handle with care.
- Do not disassemble or modify the lamp unit.
- When replacing the lamp unit, be sure to hold it by the handle because its surface is pointed and its shape is protruded.
- The lamp may burst. Replace the lamp unit carefully so that the broken pieces of the lamp glass will not scatter. If the projector is to be attached to the ceiling, do not perform the work while directly beneath the lamp unit or put your face close to it.

- The lamp contains mercury. When disposing of used lamp units, contact your local authorities or dealer for correct methods of disposal.
- Panasonic recommends that the lamp unit be replaced by a specialized engineer. Contact your dealer.

Note

- A Phillips screwdriver is necessary when replacing the lamp unit and air filter.

Switching off the projector

When the projector is operating, perform the following steps to turn off the projector, and wait until the lamp unit cools off then make the replacement.

- 1) Press the power standby <⏻> button.
- 2) Press <◀▶> to select [OK], and press the <ENTER> button. (Or press the power standby <⏻> button again.)
 - Projection of the image will stop, and the power indicator <ON (G)/STANDBY (R)> on the projector lights in orange. (The fan keeps running.)
- 3) Wait until the power indicator <ON (G)/STANDBY (R)> of the projector lights in red (and the fan stops) for approximately 170 seconds.
- 4) Press the <OFF> side of the <MAIN POWER> switch to turn off the power.

Replacing the lamp unit and air filter

Attention

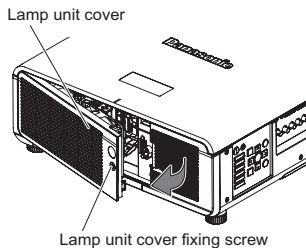
- When the projector is mounted on the ceiling, do not make the replacement while your face is near the lamp unit.
- Use both lamp units of the same type.

1) Set the <MAIN POWER> switch to <OFF> and disconnect the power plug from the power outlet.

- Wait at least one hour and check if the lamp unit has cooled down.

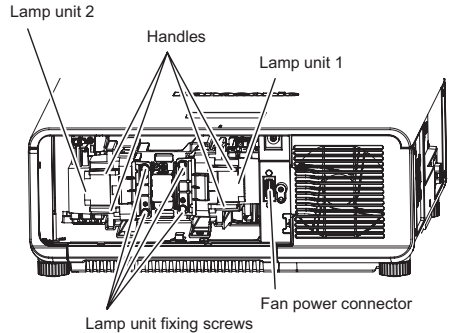
2) Remove the lamp unit cover.

- Use a Phillips screwdriver to loosen the lamp unit cover fixing screw (one screw) counterclockwise until it turns freely, and then open the lamp unit cover slowly in the direction of the arrow described in the following figure.
- Opening the lamp unit cover quickly may result in damage to the cover.
- If you loosen the lamp unit cover fixing screw with the projector installed upward in the vertical direction, the lamp unit cover may open on its weight and fall off.
- The lamp unit cover includes a fan and other components so caution is necessary when handling during replacement.



3) Remove the lamp unit.

- Use a Phillips screwdriver to turn the lamp unit fixing screws (two screws) counterclockwise until they turn freely, and then pull the lamp unit out of the projector in a straight line from the projector while holding the handle.

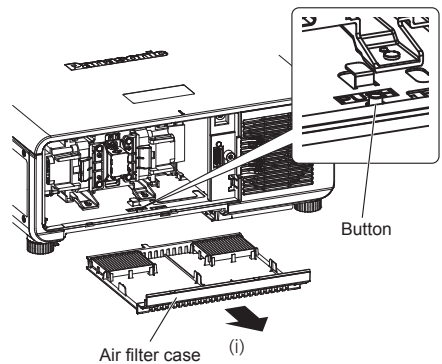


4) Attach the lamp unit.

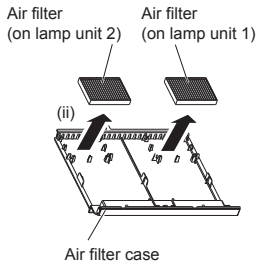
- (i) Push in the new lamp unit while checking the insert position.
 - If the lamp unit is not installed properly, remove it and then gently install it again. Pushing it in forcibly or exerting excessive force may break the connector.
- (ii) Use a Phillips screwdriver to tighten the lamp unit fixing screws (two screws each).
 - Make sure to attach the lamp unit properly.

5) Removing the air filter.

- (i) Hold the button down on the projector and remove the air filter case from the projector.

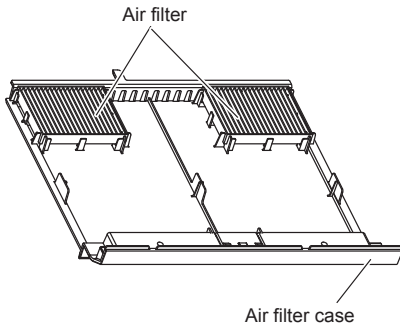


- (ii) Remove the air filter from the air filter case.



6) Attaching the air filter.

- (i) Attach the new air filter to the air filter case.
- Align the the air filter with the grooves of the air filter case and firmly insert.
- (ii) Attach the air filter case to the projector.
- Insert firmly until it clicks into place.



7) Attach the lamp unit cover.

- Close the lamp unit cover by the reverse procedure from step 2), and use a Phillips screwdriver to tighten the lamp unit cover fixing screw (one screw).
- Make sure the connector at the side of the lamp unit cover is firmly inserted in the fan power connector.
- Make sure to attach the lamp unit cover properly.

Note

- When you place the new lamp unit, the projector resets the total usage time of the lamp unit automatically.

Attention

- After unpacking the lamp unit, discard the packaging material properly.

Information for users in the European Union



Importer's name and address within the European Union
Panasonic Marketing Europe GmbH
Panasonic Testing Center
Winsbergring 15, 22525 Hamburg, Germany

Information on Disposal for Users of Waste Electrical & Electronic Equipment (private households)



This symbol on the products and/or accompanying documents means that used electrical and electronic products should not be mixed with general household waste.

For proper treatment, recovery and recycling, please take these products to designated collection points, where they will be accepted on a free of charge basis.

Alternatively, in some countries you may be able to return your products to your local retailer upon the purchase of an equivalent new product.

Disposing of this product correctly will help to save valuable resources and prevent any potential negative effects on human health and the environment which could otherwise arise from inappropriate waste handling. Please contact your local authority for further details of your nearest designated collection point.

Penalties may be applicable for incorrect disposal of this waste, in accordance with national legislation.

For business users in the European Union

If you wish to discard electrical and electronic equipment, please contact your dealer or supplier for further information.

Information on Disposal in other Countries outside the European Union

This symbol is only valid in the European Union.

If you wish to discard this product, please contact your local authorities or dealer and ask for the correct method of disposal.

Panasonic Corporation

Web Site : <https://panasonic.net/cns/projector/>

© Panasonic Corporation 2013

SS0513KM1047 -KI

Printed in Japan