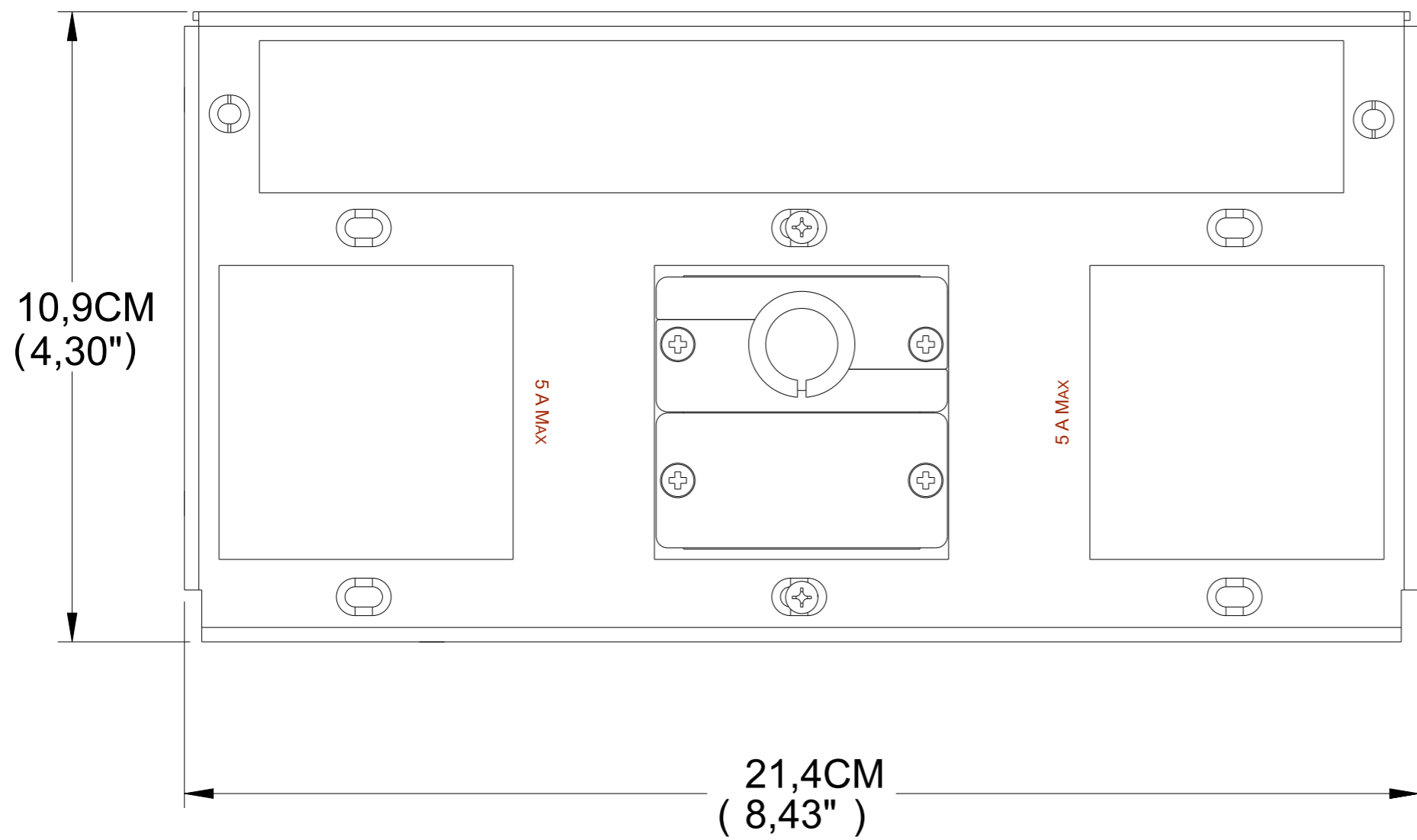
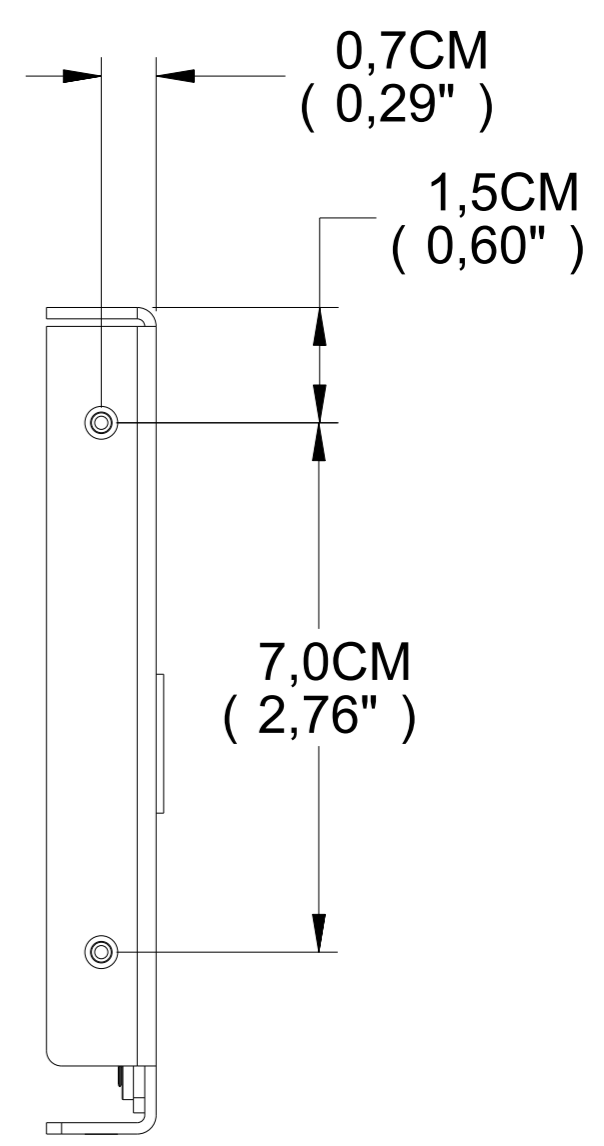
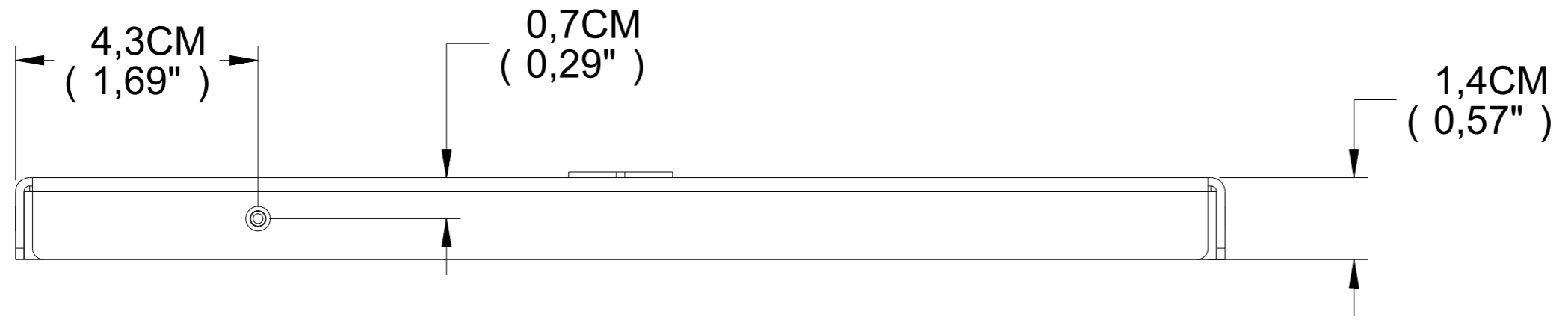

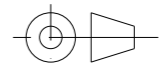


REV.	DESCRIPTION	ECO NO.	UPDATE BY	DATE	APPROVED
A	DRAWING RELEASE	010733	ARKADY	14/07/16	RADU N.



	NAME	DATE	 KRAMER ELECTRONICS LTD. JERUSALEM, ISRAEL	
DRAWN	ARKADY	14/07/16		
APPROVED	RADU N.	14/07/16		
Project : <b>T10F-22M</b>			KRAMER DRW.: OL000053	REV. <b>A</b>