



# SpeechLine Digital Wireless

## FEATURES

- Automatic frequency and interference management
- Speech optimized gain automatics
- License free 1.9 GHz frequency range
- Secure 256 bit AES encryption
- Remote control via Ethernet
- Advanced power management and Li-ion rechargeables
- Up to 20 channels per range

For more information on the SpeechLine Digital Wireless series please refer to the SpeechLine Digital Wireless product page at:

[www.sennheiser.com/speechline-dw](http://www.sennheiser.com/speechline-dw)



SpeechLine Digital Wireless is a presentation solution dedicated to speech. The digital wireless microphone system is a future-proof solution that's easy to set up, use and manage. A microphone which lets the presenter concentrate on their words, not on the technology.

SpeechLine Digital Wireless comprises of mobile transmitters (handheld, bodypack, tablestand and boundary) tailored for presentation, speech optimized microphone capsules (condenser capsules, lavalier or headworn microphone) and easy-to-integrate single-channel and multi-channel receivers. For convenience, the system relies on lithium-ion technology with a battery lifetime of more than 15 h and flexible charging solutions of multi-device chargers or USB-charging on the fly.

Thanks to the Automatic Frequency Management, the system always finds a free frequency (no frequency planning is necessary anymore). The Automatic Interference Management always maintains a stable connection, which makes the system very reliable. The Automatic Sensitivity Management makes the setup even more convenient, no more gain settings are required. With seamless network integration the system can be controlled via the Sennheiser Control Cockpit software or media control systems (e. g. AMX, Crestron), which makes SpeechLine DW easy to monitor and to manage.

For secure communication, SpeechLine Digital Wireless uses the secure advanced 256-bit AES encryption for secure wireless transmission.

Due to the 1.9 GHz frequency range SpeechLine DW is the future proof investment and already DD ready. Moreover, the 1.9 GHz is license free and requires no registration.



# SpeechLine Digital Wireless

## SPECIFICATIONS

### System

|                       |  |
|-----------------------|--|
| AF frequency response | 20 to 20,000 Hz  |
| Dynamic range         | > 120 dB(A)  |
| THD (1 kHz)           | typ. 0.1 %   |
| Audio sampling        | 24 bit/48 kHz  |
| Signal-to-noise ratio | > 90 dB(A)   |
| Encryption            | AES 256  |
| RF frequency ranges   | EU: 1,880 to 1,900 MHz<br>USA: 1,920 to 1,930 MHz<br>Brazil: 1,910 to 1,920 MHz<br>Taiwan: 1,880 to 1,895 MHz<br>Japan: 1,893 to 1,906 MHz |
| Modulation            | GFSK with back channel   |
| Transmission method   | TDMA, space diversity  |
| Latency               | 19 ms  |
| Relative air humidity | max. 95 %  |
| Temperature range*    | Operation: -10 °C to 55 °C<br>(14 °F to 131 °F)<br>Storage: -20 °C to 70 °C<br>(-4 °F to 158 °F)   |

\* The temperature range is influenced by the battery characteristics

### SL MCR DW

|                              |  |
|------------------------------|--|
| RF sensitivity               | < -90 dBm  |
| RF output power back channel | adaptive or manual, up to 250 mW (country-specific)  |
| Network protocol             | Media Control Protocol, UDP IPv4 (DHCP, Manual)/IPv6, mDNS (switchable)  |
| Power supply                 | PoE IEEE 802.3af Class 3   |
| Audio outputs                | One 3-pin socket (suitable for Phoenix Contact MCVW 1.5-3-ST-3.81)<br>Two Dante™ Digital Audio Network sockets (RJ-45) |
| Weight                       | 650 g (incl. wallmount)<br>560 g (without wallmount)   |
| Dimensions                   | 180 x 180 x 45 mm (incl. wallmount)  |
| Operating temperature        | -10 °C to +45 °C (14 °F to 113 °F)   |
| Storage temperature          | -20 °C to +70 °C (-4 °F to 158 °F)   |
| Relative air humidity        | max. 95 %  |

### SL Rack Receiver DW

|                              |  |
|------------------------------|--|
| RF sensitivity               | < -90 dBm  |
| RF output power back channel | adaptive, up to 250 mW (country-specific)  |
| XLR output level, balanced   | max. +18 dBu   |
| RCA output level, unbalanced | max. +6 dBu  |
| Audio effects                | Low cut: -3 dB at 120 Hz<br>Equalizer: 7-band graphic equalizer with sound presets<br>Sound profiles: - female voice<br>- male voice<br>- instrument/media |
| Display                      | OLED   |
| Network protocol             | Media Control Protocol, TCP/IP IPv4 (DHCP, manual)/IPv6  |
| Power supply                 | 12 V DC  |
| Current consumption          | 350 mA   |
| AF connection sockets        | XLR/2 x RCA  |
| Antenna sockets              | 2 x reverse SMA  |
| Network sockets              | RJ-45  |
| DC socket for power supply   | hollow jack  |
| Weight                       | approx. 828 g (1.83 lbs)   |

### Power supply units (for SL Rack Receiver DW)

|                           | NT 12-4C                           | NT 2-3                   |
|---------------------------|------------------------------------|--------------------------|
| Nominal input voltage     | 100 to 240 V AC                    |                          |
| Power frequency           | 50 or 60 Hz                        |                          |
| Input current             | max. 120 mA                        |                          |
| Nominal output voltage    | 12 V DC                            |                          |
| Standby power consumption | ≤ 0.3 W                            |                          |
| Energy efficiency level   | V                                  | IV                       |
| Operating temperature     | -10 °C to 55 °C (14 °F to 131 °F)  |                          |
| Storage temperature       | -20 °C to +70 °C (-4 °F to 158 °F) |                          |
| Relative air humidity     | max. 95 %                          |                          |
| Weight                    | approx. 100 g (0.22 lbs)           | approx. 105 g (0.23 lbs) |



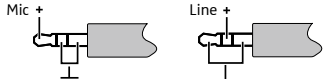
# SpeechLine Digital Wireless

## SL Handheld DW

|                           |   |
|---------------------------|---|
| RF output power           | adaptive, up to 250 mW (country-specific)                                   |
| AF frequency response     | 50 to 20,000 Hz   |
| Input sensitivity         | automatic sensitivity adjustment  |
| Power supply              | Accupack: BA 10 (Li-ion, 3.7 V)<br>Batteries**: 2 x AA size battery (1.5 V) |
| Operating time            | Accupack: typ. 15 h<br>Batteries**: typ. 10 h                               |
| Display                   | LCD   |
| Mute switch               | available   |
| Weight (without accupack) | approx. 262 g (0.58 lbs) incl. microphone head                              |

\*\* optional accessory

## SL Bodypack DW

|                           |   |
|---------------------------|---|
| RF output power           | adaptive, up to 250 mW (country-specific)   |
| AF frequency response     | Mic: 50 to 20,000 Hz<br>Line: 20 to 20,000 Hz                                       |
| Max. input level          | Mic: 2.2 V RMS<br>Line: 3.3 V RMS   |
| Line input impedance      | 1 M $\Omega$  |
| Input sensitivity         | automatic sensitivity adjustment  |
| Power supply              | Accupack: BA 30 (Li-ion, 3.7 V)<br>Batteries**: 2 x AA size battery (1.5 V)         |
| Operating time            | Accupack typ. 15 h<br>Batteries**: typ. 11 h  |
| AF connection socket      | 3.5 mm jack socket, lockable  |
|                           |  |
| Weight (without accupack) | approx. 88 g (0.19 lbs)   |

\*\* optional accessory

## SL Tablestand 133-S DW

|                       |                                |
|-----------------------|--------------------------------|
| AF frequency response | 75 to 20,000 Hz                |
| Max. input level      | 1.7 V RMS                      |
| Input impedance       | 30 k $\Omega$                  |
| Power supply          | BA 40 accupack (Li-ion, 3.6 V) |
| Operating time        | Accupack: typ. 11 h            |

|                       |   |
|-----------------------|---|
| Relative humidity     | max. 95 %                                       |
| Dimensions            | 166.7 x 120.2 x 47.9 mm (6.56" x 4.73" x 1.88") |
| Weight                | approx. 660 g (1.46 lbs) (without accupack)     |
| Operating temperature | 10 °C to 45 °C (50 °F to 113 °F)                |

## SL Tablestand 153-S DW

|                       |   |
|-----------------------|---|
| AF frequency response | 75 to 20,000 Hz                                 |
| Max. input level      | 1.7 V RMS                                       |
| Input impedance       | 30 k $\Omega$                                   |
| Power supply          | BA 40 accupack (Li-ion, 3.6 V)                  |
| Operating time        | Accupack: typ. 10 h                             |
| Relative humidity     | max. 95 %                                       |
| Dimensions            | 166.7 x 120.2 x 47.9 mm (6.56" x 4.73" x 1.88") |
| Weight                | approx. 660 g (1.46 lbs) (without accupack)     |
| Operating temperature | 10 °C to 45 °C (50 °F to 113 °F)                |

## SL Boundary 114-S DW

|                           |   |
|---------------------------|---|
| AF frequency response     | 40 to 20,000 Hz   |
| Pickup pattern            | cardioid  |
| Dynamic range             | < 100 dB(A)   |
| Sensitivity               | 10 mV/PA  |
| Power supply              | BA 40 accupack (Li-ion, 3.6 V)  |
| Operating time            | Accupack: typ. 12 h   |
| Relative air humidity     | max. 95 %   |
| Temperature range*        | Operation: 10 °C to 45 °C (50 °F to 113 °F)<br>Storage: -20 °C to 70 °C (-4 °F to 158 °F) |
| Dimensions                | 114 x 85.3 x 30.8 mm (4.49" x 3.36" x 1.21")  |
| Weight (without accupack) | approx. 208 g (0.46 lbs)  |

\* The temperature range is influenced by the battery characteristics


## Microphones

|                 | MME 865-1                          | MKE 1            |
|-----------------|------------------------------------|------------------|
| Microphone type | pre-polarized condenser microphone |                  |
| Sensitivity     | 1.6 mV/Pa                          | 5 mV/Pa          |
| Pick-up pattern | super-cardioid                     | omni-directional |
| Max. SPL        | 152 dB SPL                         | 142 dB SPL       |



# SpeechLine Digital Wireless

## CHG 2

|   |  |
|---|--|
| Input voltage                                 | 12 V DC  |
| Input current                                 | max. 1.1 A   |
| DC connection                                 | +  -    |
| Charging voltage                              | 5 V DC   |
| Charging current                              | max. 2 x 1 A   |
| Compatible accupacks                          | Sennheiser BA 10, BA 30  |
| Charging time for full charge at 20 °C        | 100 % = approx. 160 min = green  |
| Temperature range                             | Operation: 0 °C to 45 °C (32 °F to 113 °F)<br>Storage: -20 °C to 70 °C (-4 °F to 158 °F) |
| Relative air humidity, non-condensing         | Operation: 25 % to 95 %<br>Storage: 5 % to 95 %  |
| IP protection class according to IEC/EN 60529 | IP2X   |
| Dimensions (W x D x H)                        | 175 x 135 x 93 mm (6.89" x 5.31" x 3.66")  |
| Weight (without power supply unit)            | approx. 375 g (0.83 lbs)   |

## CHG 2N

|                               |   |
|-------------------------------|---|
| Network protocol              | Media Control Protocol IPv4 (DHCP, manual) / IPv6 |
| Power supply                  | 12 V DC   |
| Current consumption           | 1.2 A   |
| Network socket                | RJ 45   |
| Dimensions                    | 140 x 100 x 102 mm (5.3" x 3.9" x 4")             |
| Weight                        | 609 g   |
| Charging bays                 | 2   |
| Charging voltage per bay      | 5 V   |
| Charging current per bay      | 1 A   |
| Charging status indicator     | 4 LEDs per bay (red, yellow, green, green)        |
| Charging time for full charge | SL Handheld DW: 2 h<br>SL Bodypack DW: 2 h        |
| Operating temperature         | 0 °C to 45 °C (32 °F to 113 °F)                   |

## CHG 4N

|                               |   |
|-------------------------------|---|
| Network protocol              | Media Control Protocol IPv4 (DHCP, manual) / IPv6 |
| Power supply                  | 12 V DC   |
| Current consumption           | 2.5 A   |
| Network socket                | RJ 45   |
| Dimensions                    | 270 x 100 x 102 mm (10.6" x 3.9" x 4")            |
| Weight                        | 1100 g (2.43 lbs)                                 |
| Charging bays                 | 4   |
| Charging voltage per bay      | 5 V   |
| Charging current per bay      | 1 A   |
| Charging status indicator     | 4 LEDs per bay (red, yellow, green, green)        |
| Charging time for full charge | SL Handheld DW: 2 h<br>SL Bodypack DW: 2 h        |
| Operating temperature         | 0 °C to 45 °C (32 °F to 113 °F)                   |

## CHG2W

|                               |  |
|-------------------------------|--|
| Input voltage                 | 12 V DC  |
| Input current                 | 1.67 A   |
| Charging voltage              | 5 V DC   |
| Charging current              | max. 1 A   |
| Power consumption             | 2.5 A  |
| Charging time for full charge | SL Tablestand 133-S DW: on: 5 h / off: 3 h<br>SL Tablestand 153-S DW: on: 5.5 h / off: 3 h |
| Temperature range             | Operation: 5 °C to 35 °C (41 °F to 95 °F)<br>Storage: -40 °C to 80 °C (-40 °F to 176 °F)   |
| Dimensions                    | 278 x 190 x 10 mm (10.9" x 7.5" x 0.4")  |
| Weight                        | 525 g (1.16 lbs)   |

## Accupacks

|                   | BA 10    | BA 30    | BA 40    |
|-------------------|----------|----------|----------|
| Charging capacity | 2200 mAh | 2030 mAh | 2200 mAh |
| Output voltage    | 3.6 V    | 3.7 V    | 3.6 V    |



## SpeechLine Digital Wireless

### SL PASC 2

|                            |                            |
|----------------------------|----------------------------|
| Frequency range            | 1,880 - 1,930 MHz          |
| Insertion loss             | -4.5 dB typ.               |
| Port to port isolation     | 22 dB min.                 |
| Input / Output return loss | -13 dB max.                |
| Connectors                 | AC coupled ports           |
| Max. input power           | 1.5 W                      |
| Dimensions                 | 150 x 50 x 21 mm           |
| Weight                     | 135 g                      |
| Operating temperature      | -40 to 85 °C               |
| Relative humidity          | max. 95 % (non-condensing) |

### SL PASC 4

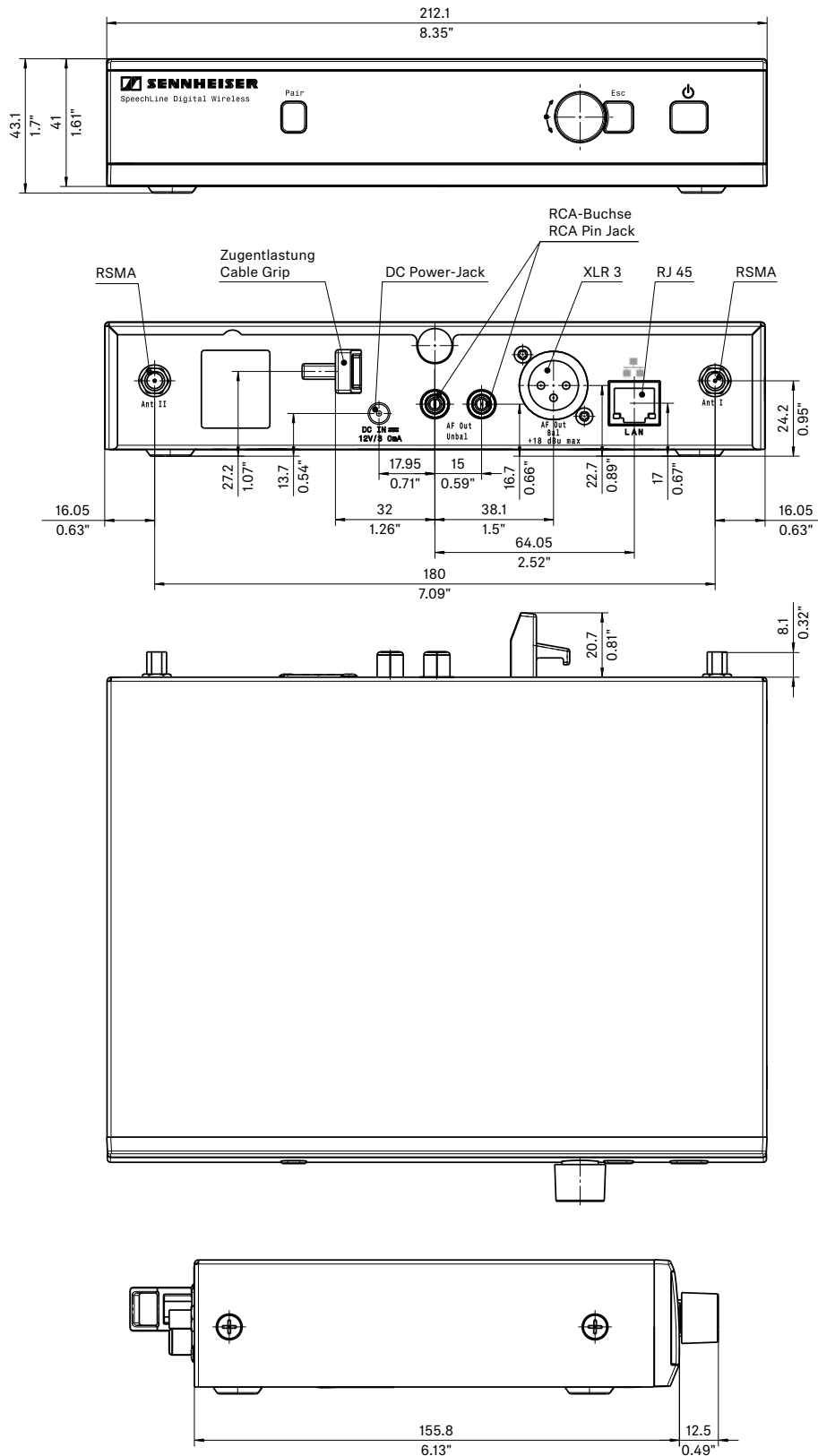
|                            |                            |
|----------------------------|----------------------------|
| Frequency range            | 1,880 - 1,930 MHz          |
| Insertion loss             | -8 dB typ.                 |
| Port to port isolation     | 26 dB min.                 |
| Input / Output return loss | -14 dB max.                |
| Connectors                 | AC coupled ports           |
| Max. input power           | 1.5 W                      |
| Dimensions                 | 210 x 160 x 41 mm          |
| Weight                     | 663 g                      |
| Operating temperature      | -40 to 85 °C               |
| Relative humidity          | max. 95 % (non-condensing) |



# SpeechLine Digital Wireless

## DIMENSIONS

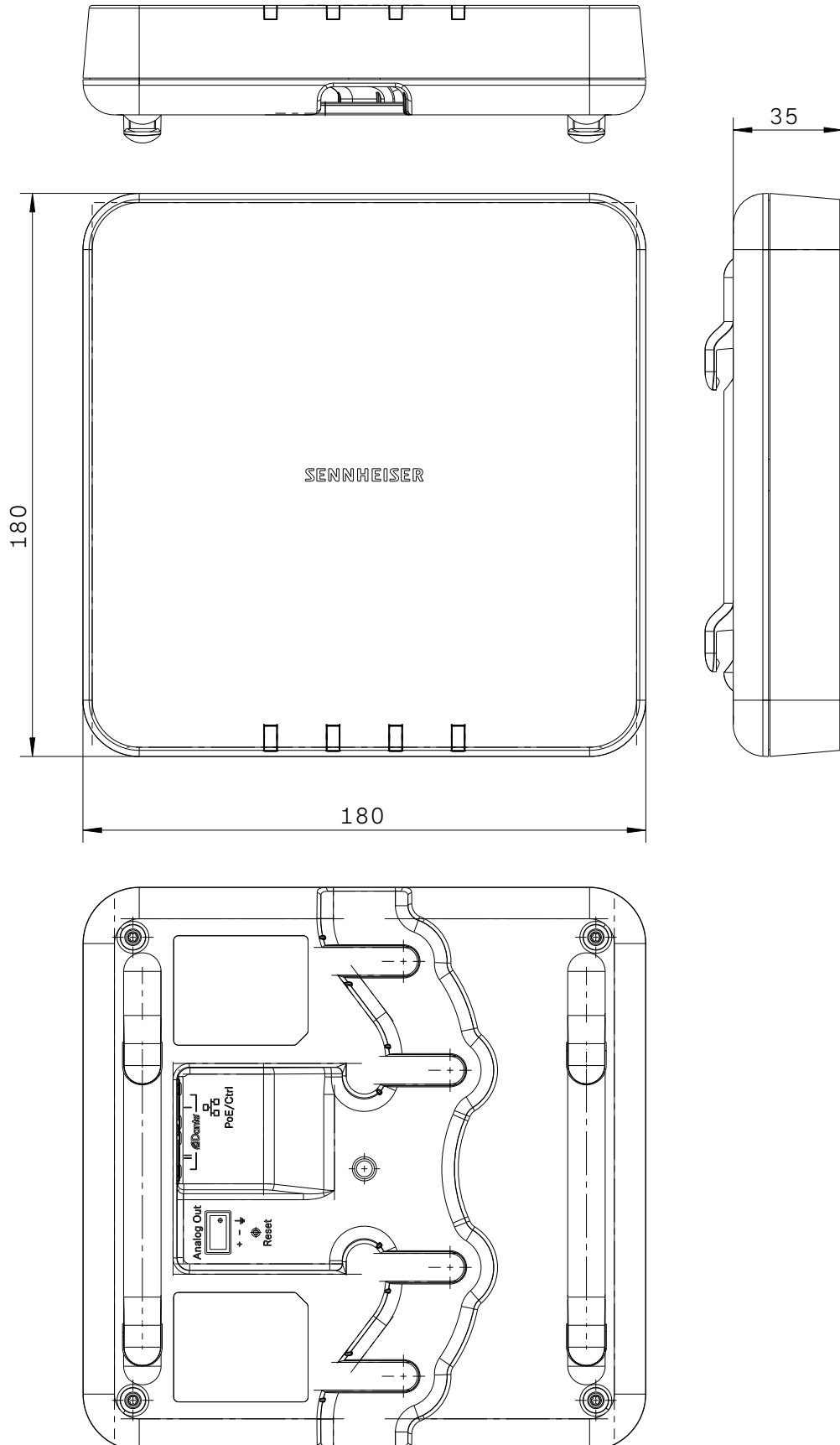
### SL Rack Receiver DW





# SpeechLine Digital Wireless

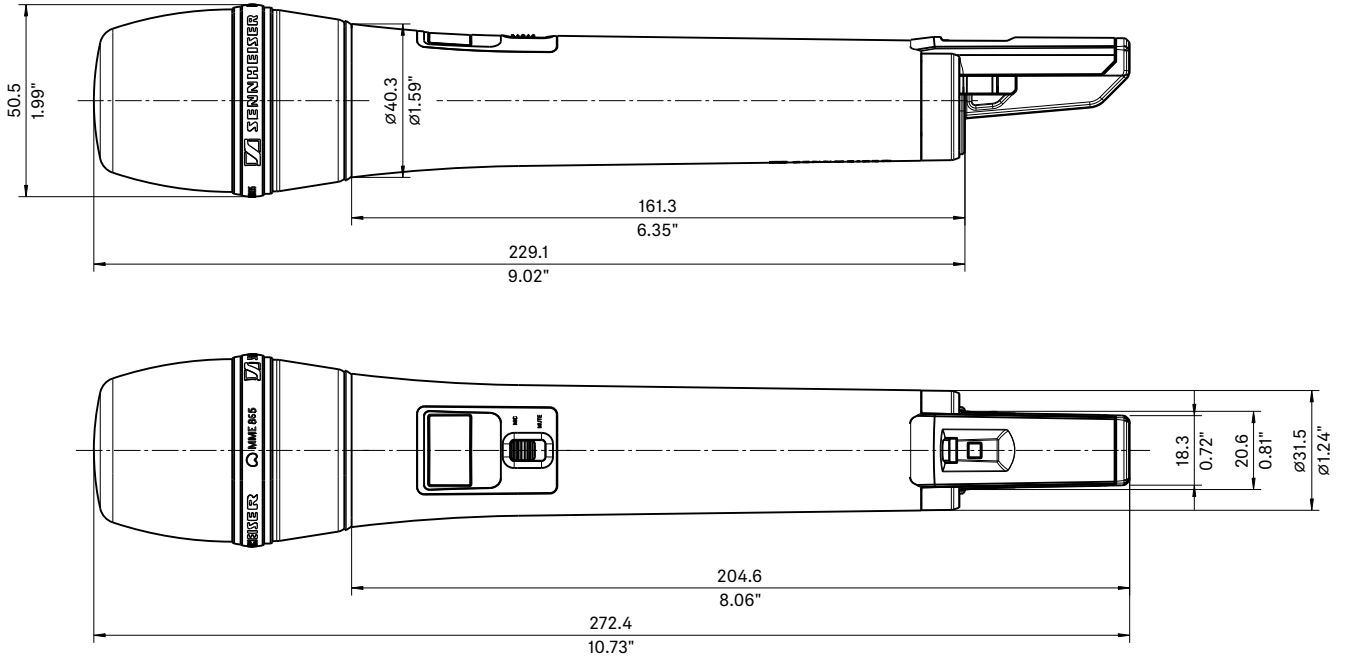
SL MCR DW





# SpeechLine Digital Wireless

## SL Handheld DW

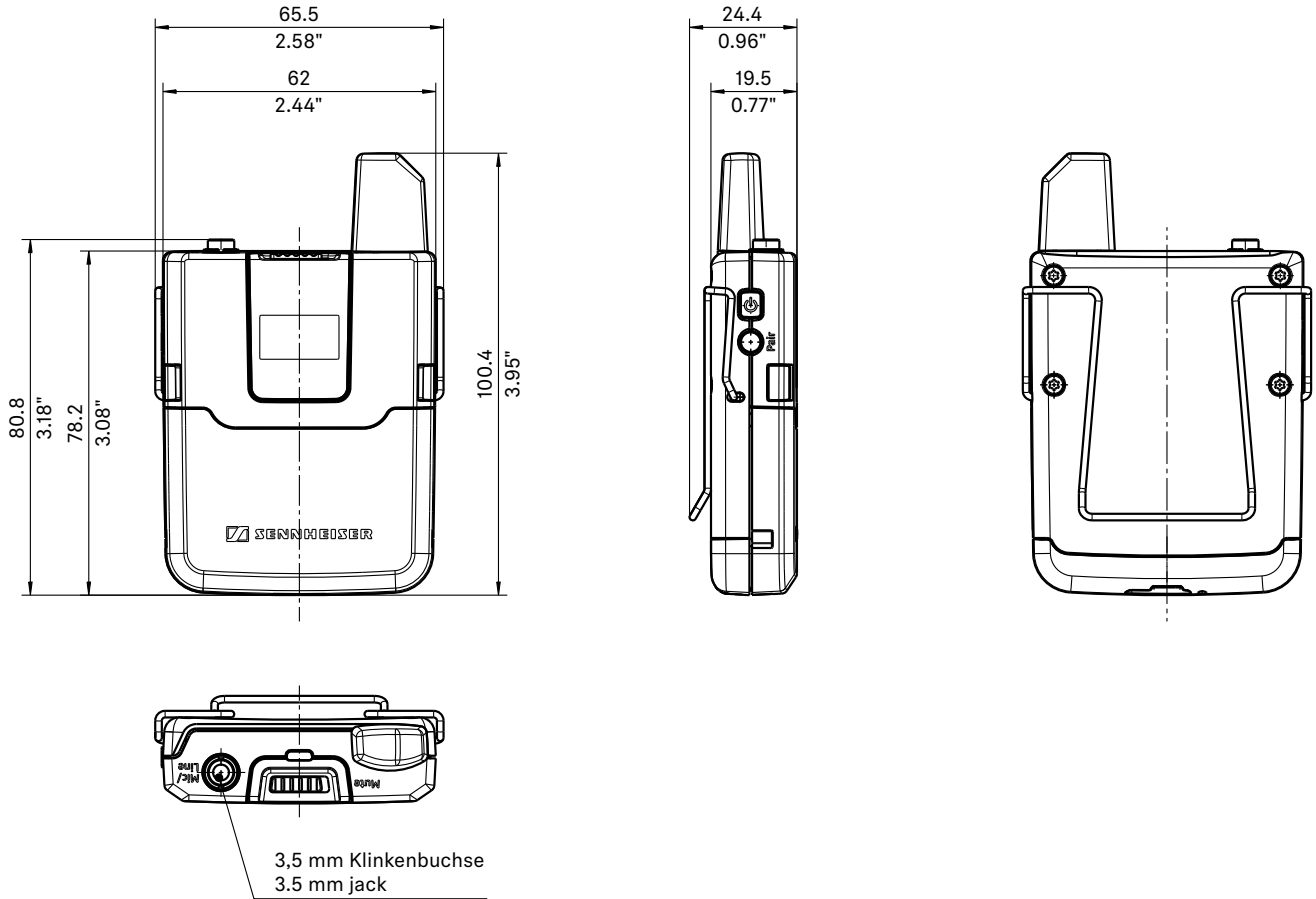






# SpeechLine Digital Wireless

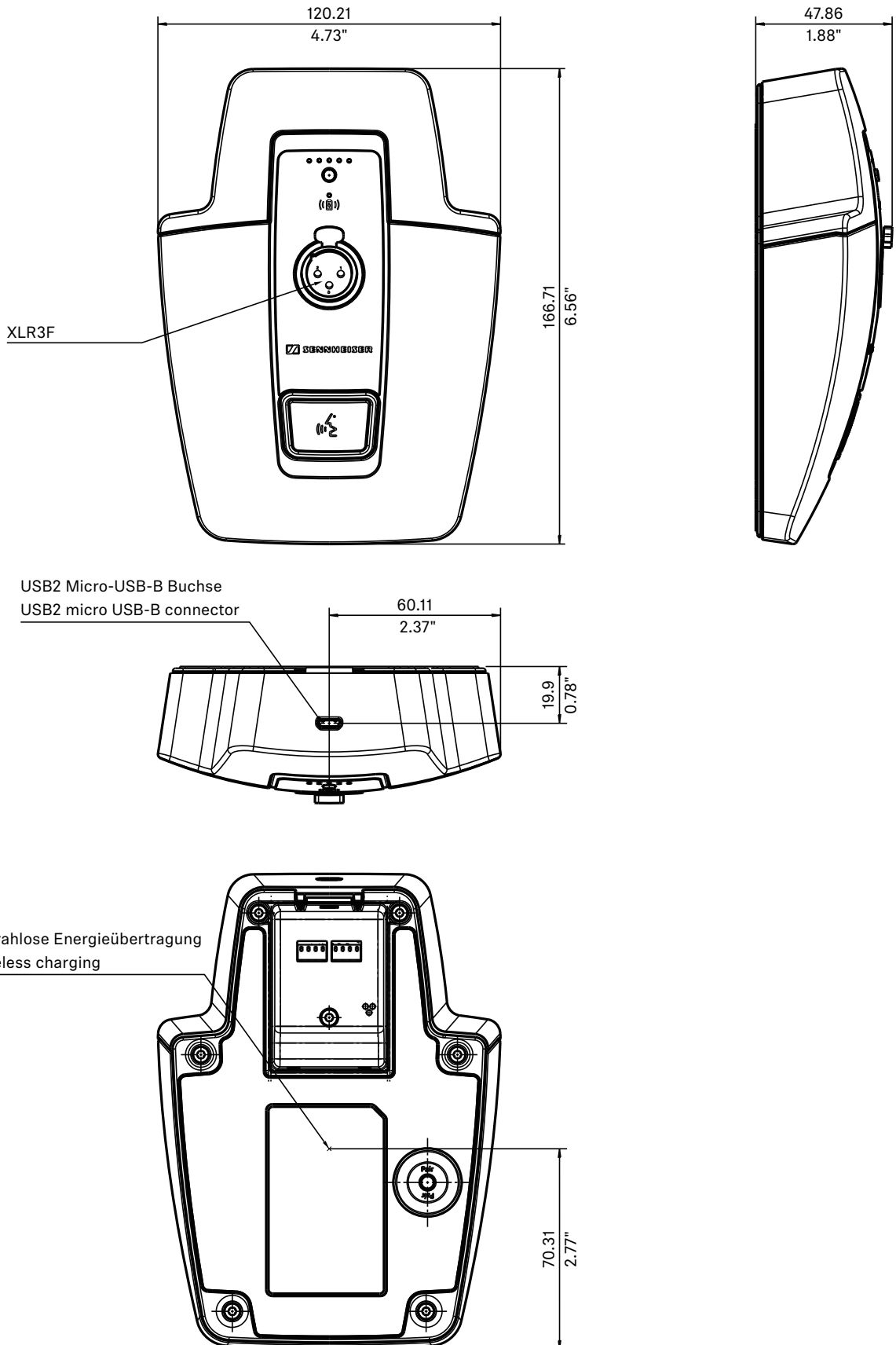
## SL Bodypack DW





# SpeechLine Digital Wireless

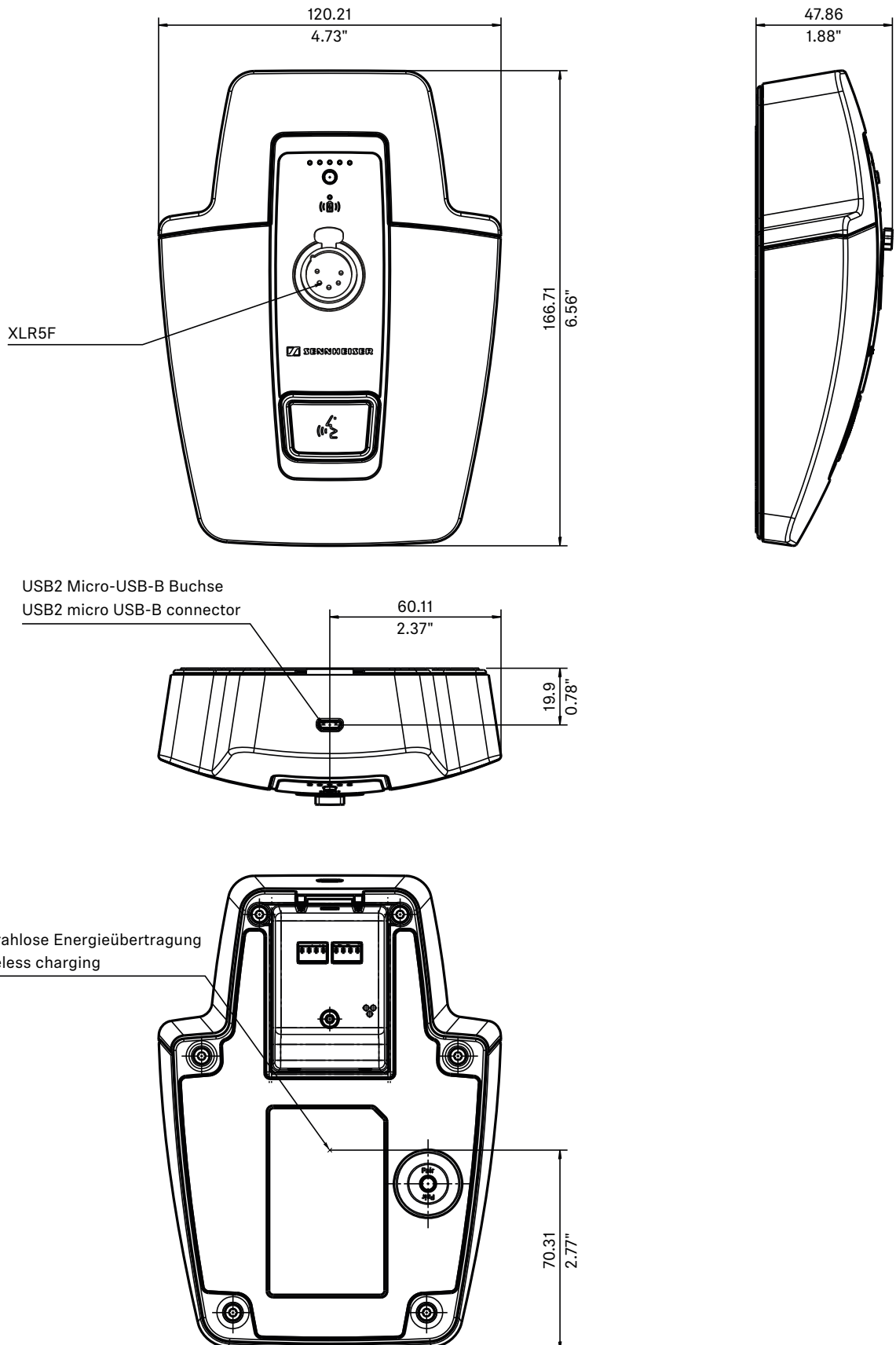
## SL Tablestand 133-S DW





# SpeechLine Digital Wireless

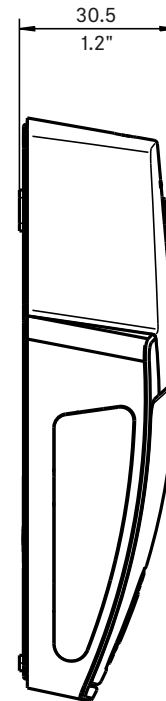
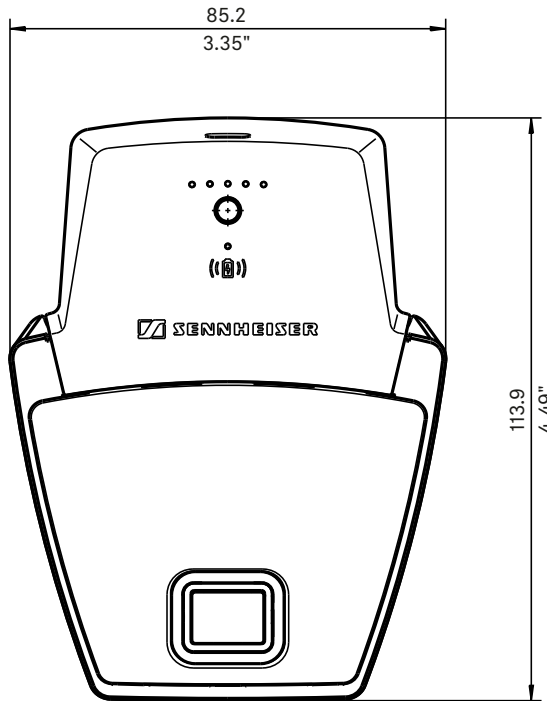
## SL Tablestand 153-S DW



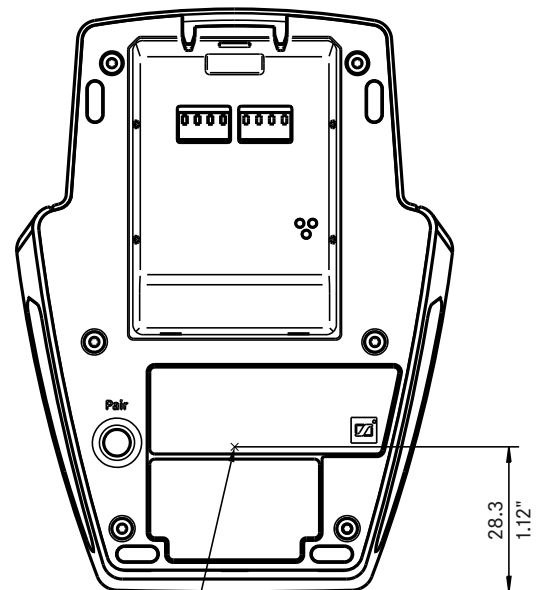
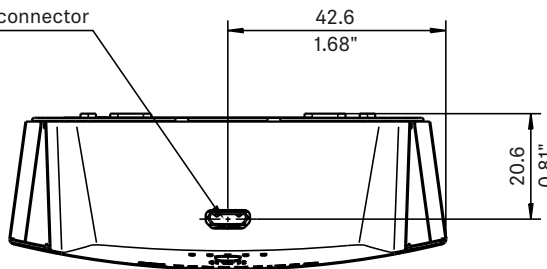


# SpeechLine Digital Wireless

## SL Boundary 114-S DW



USB2 Micro-USB-B Buchse  
USB2 micro USB-B connector



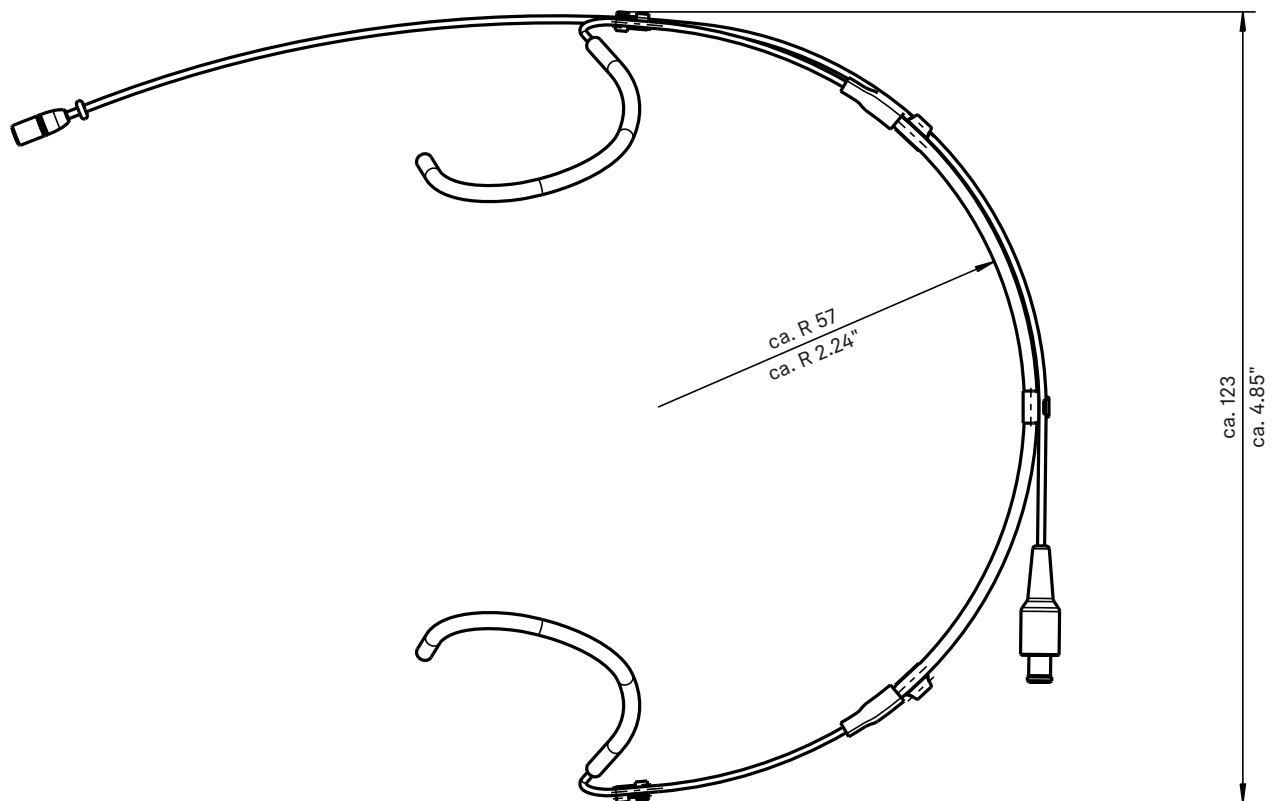
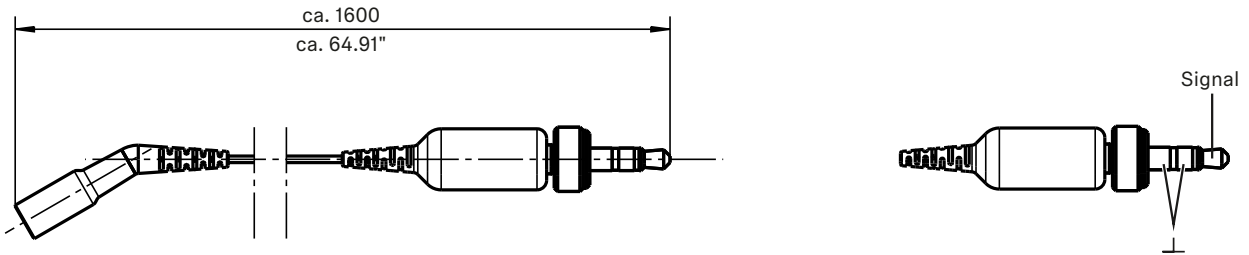
Zentrum drahtlose Energieübertragung  
center wireless charging



# SpeechLine Digital Wireless

## SL Headmic 1

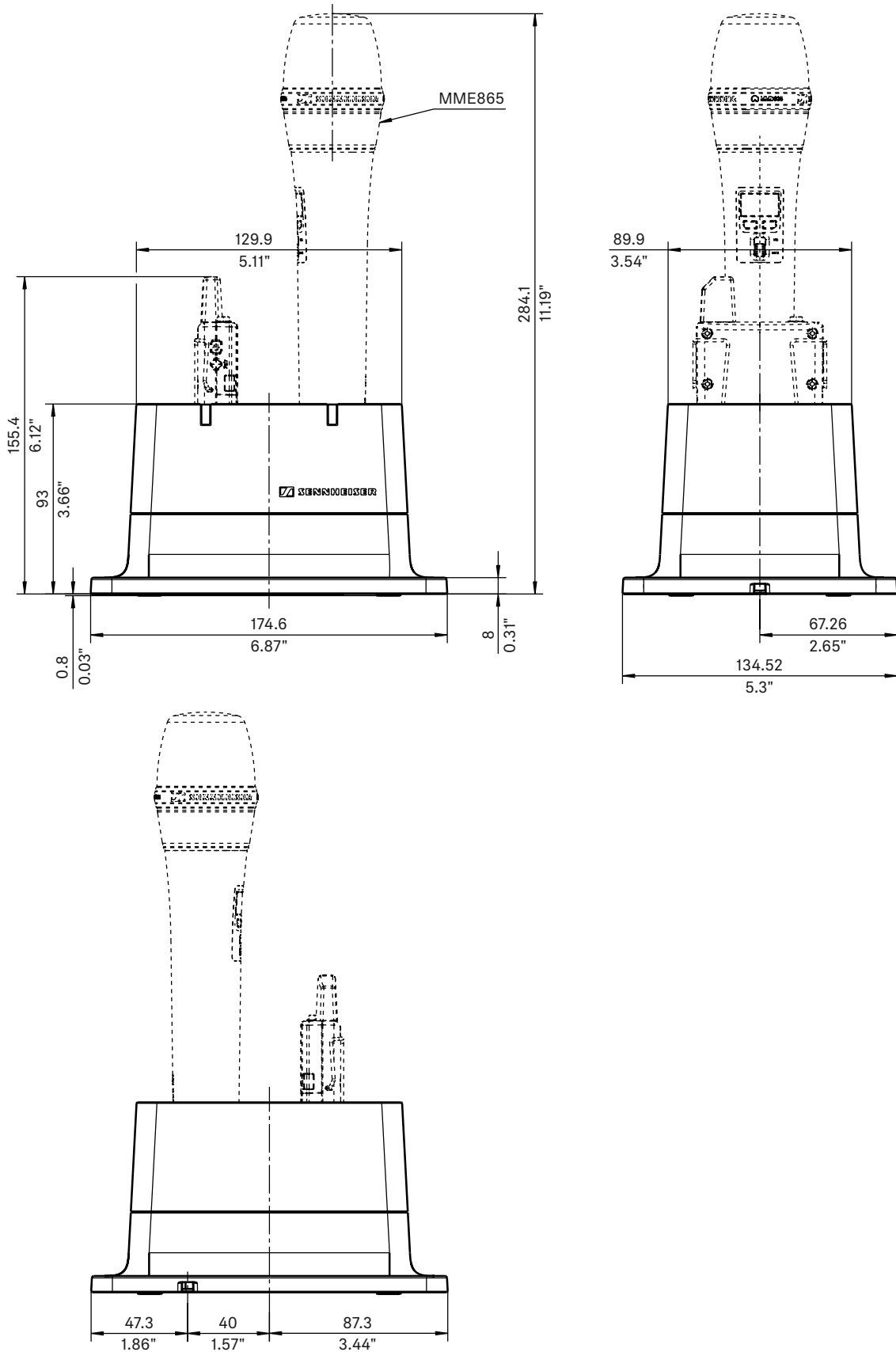
Kabel mit 3,5 mm Klinenstecker  
cable with 3.5 mm jack plug





# SpeechLine Digital Wireless

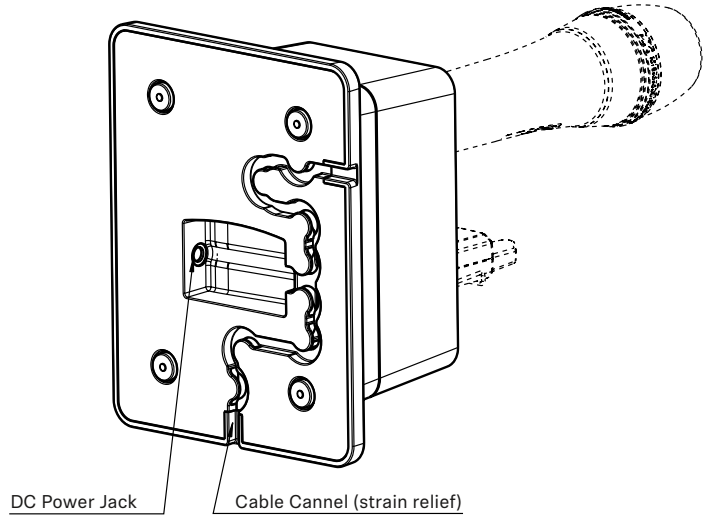
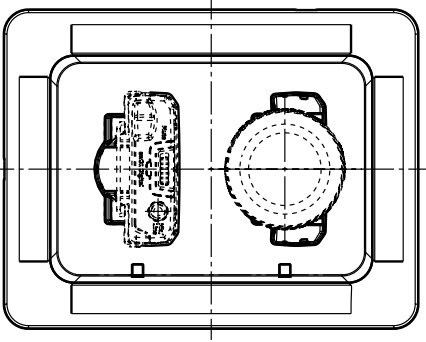
CHG 2





# SpeechLine Digital Wireless

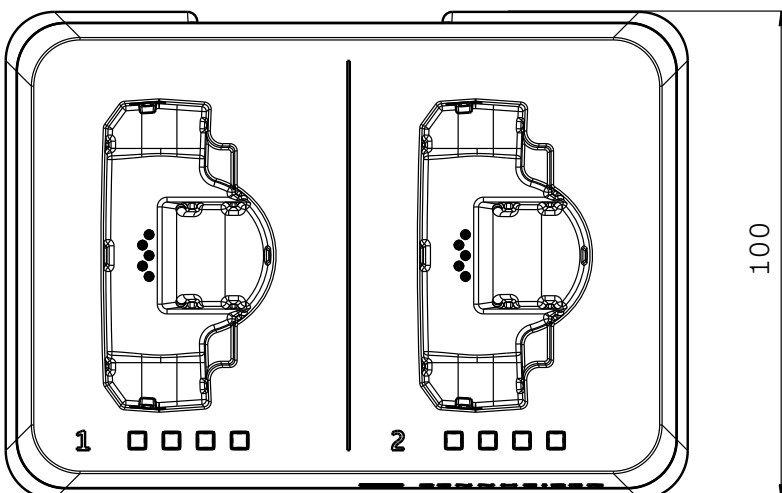
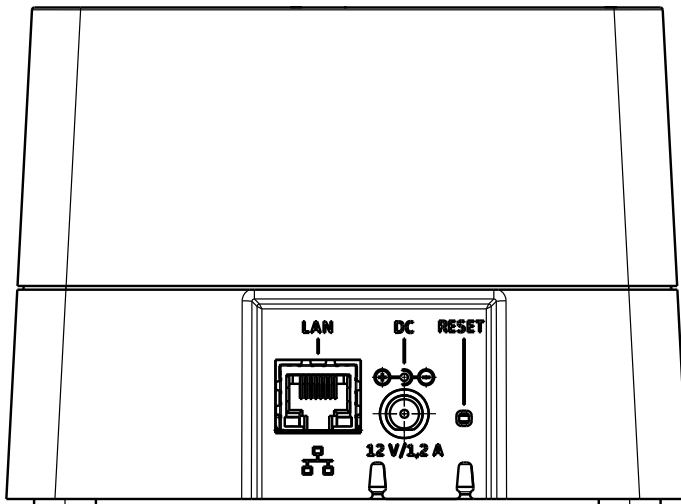
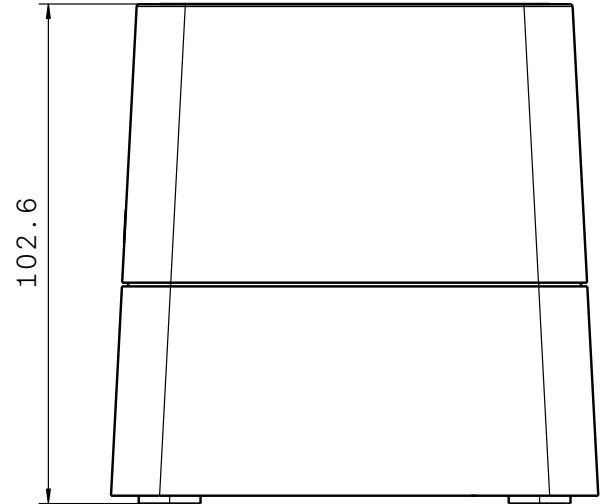
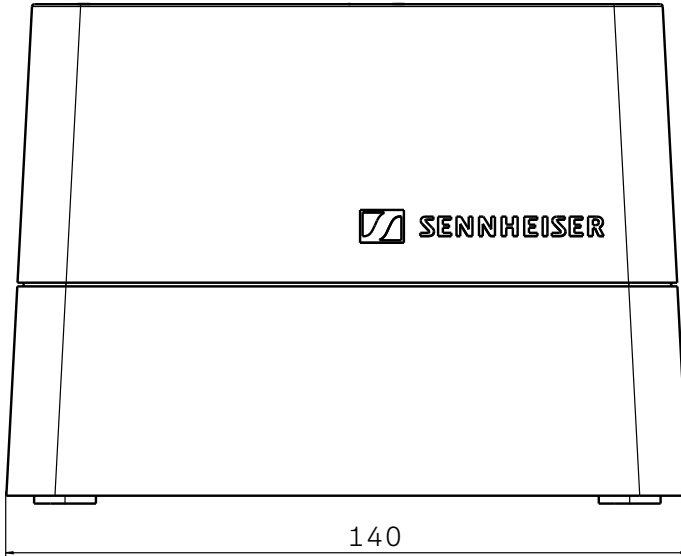
## CHG 2





# SpeechLine Digital Wireless

CHG 2N

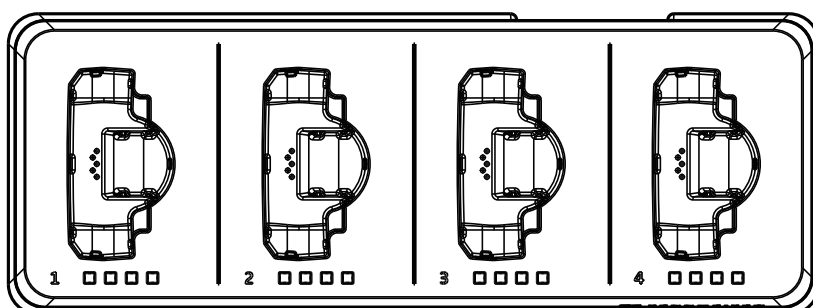
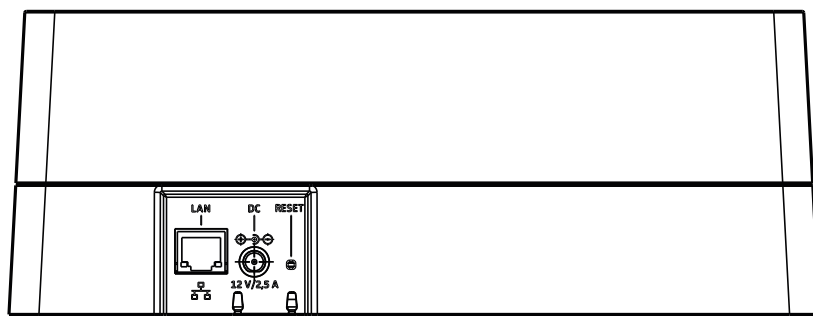
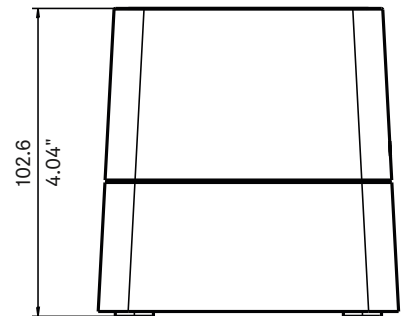
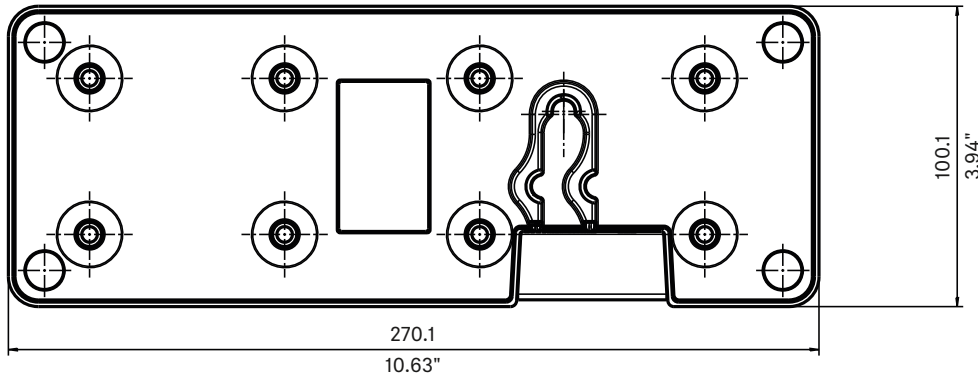






# SpeechLine Digital Wireless

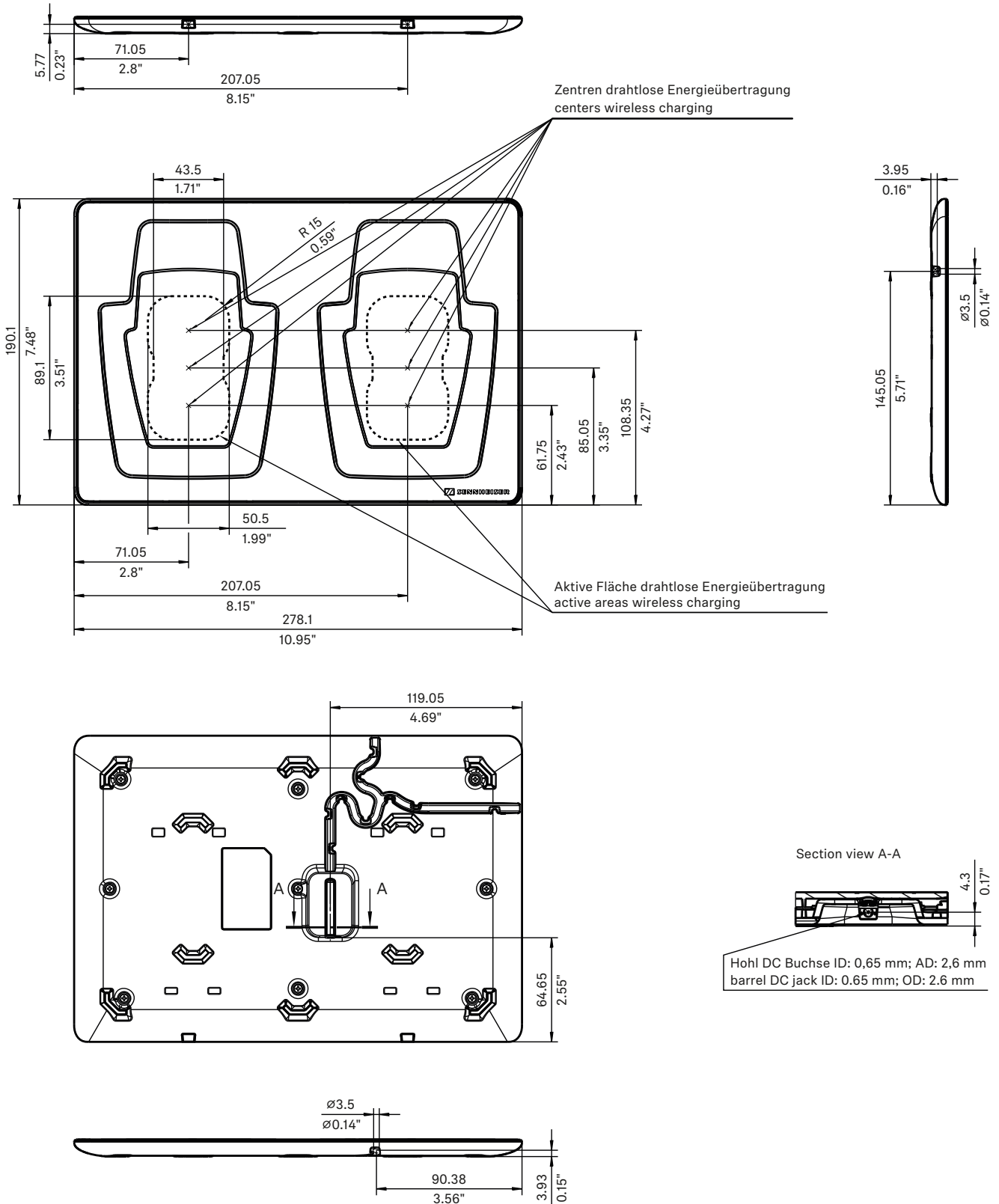
## CHG 4N





# SpeechLine Digital Wireless

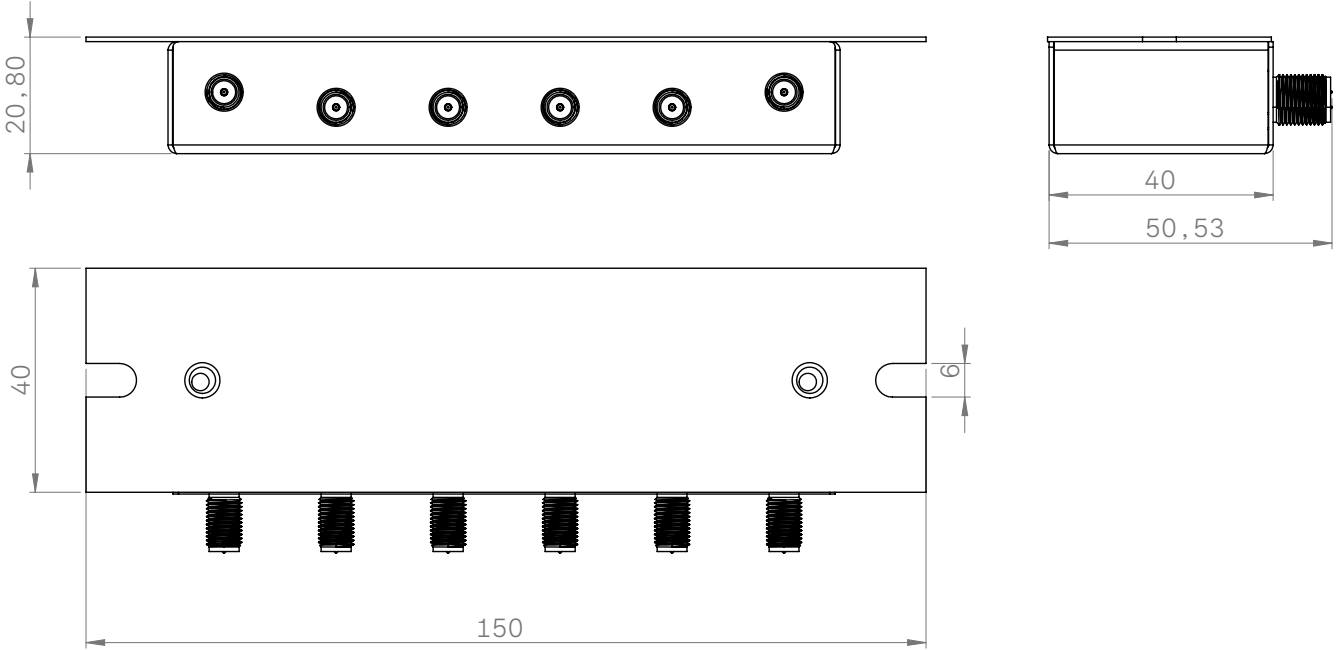
## CHG 2W



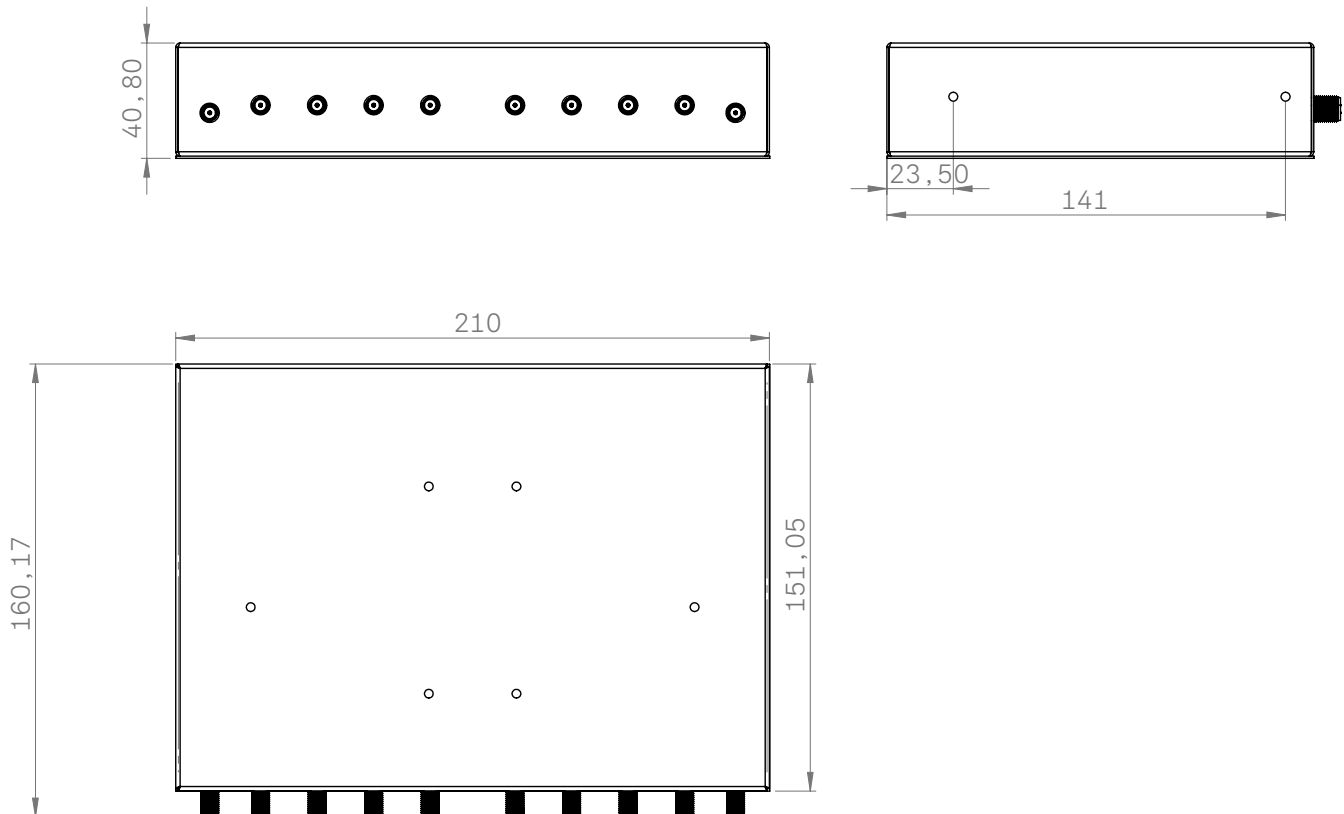


# SpeechLine Digital Wireless

## SL PASC 2



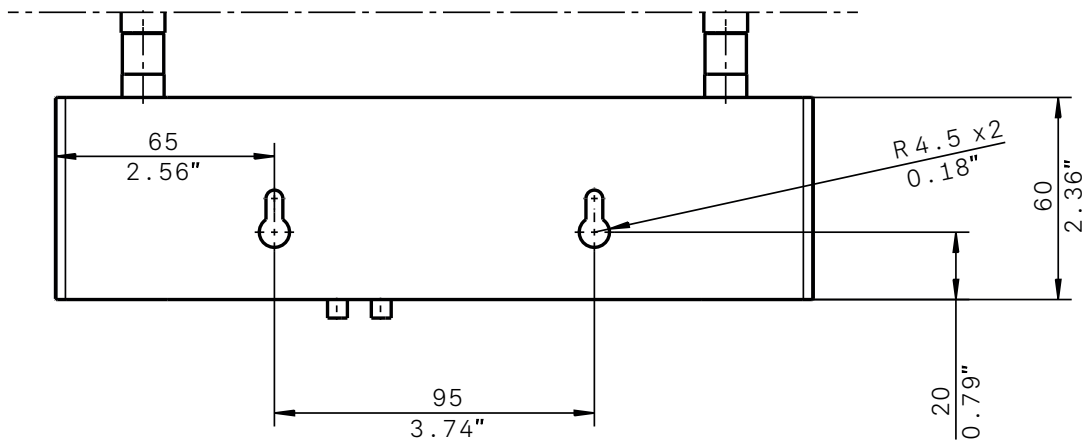
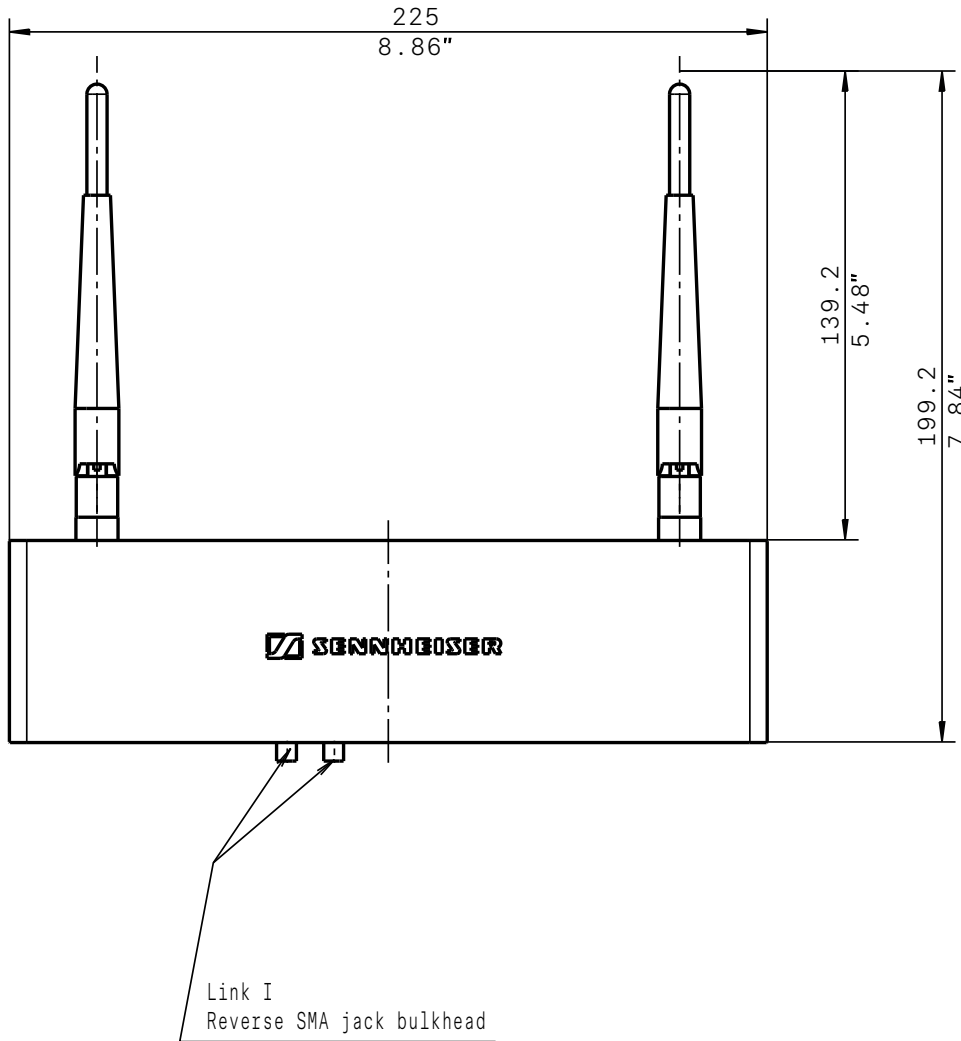
## SL PASC 4





# SpeechLine Digital Wireless

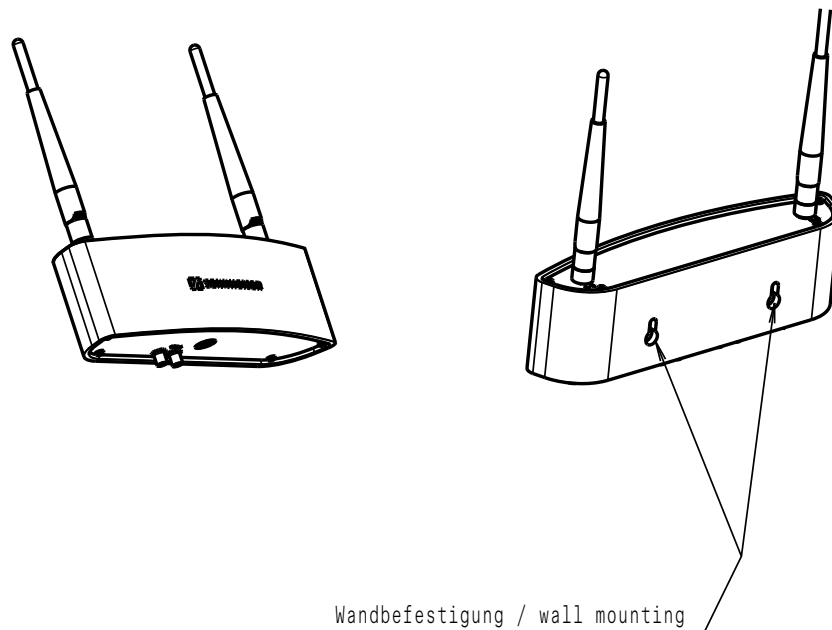
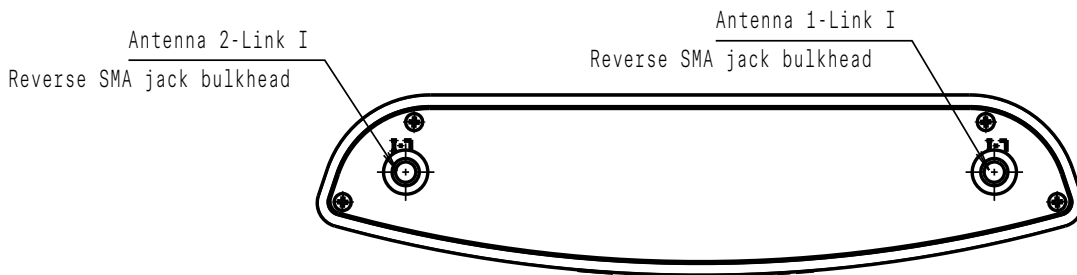
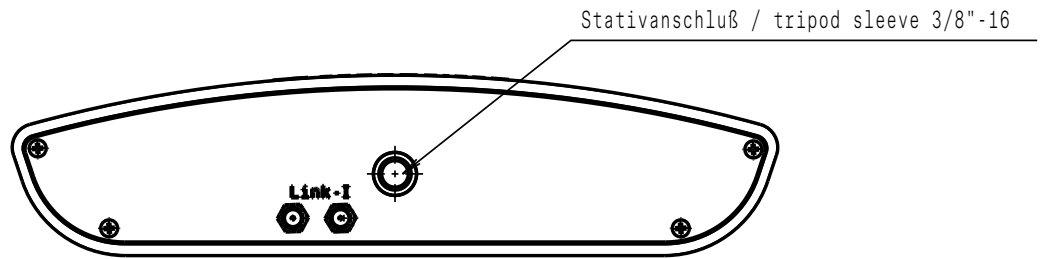
## AWM 2





# SpeechLine Digital Wireless

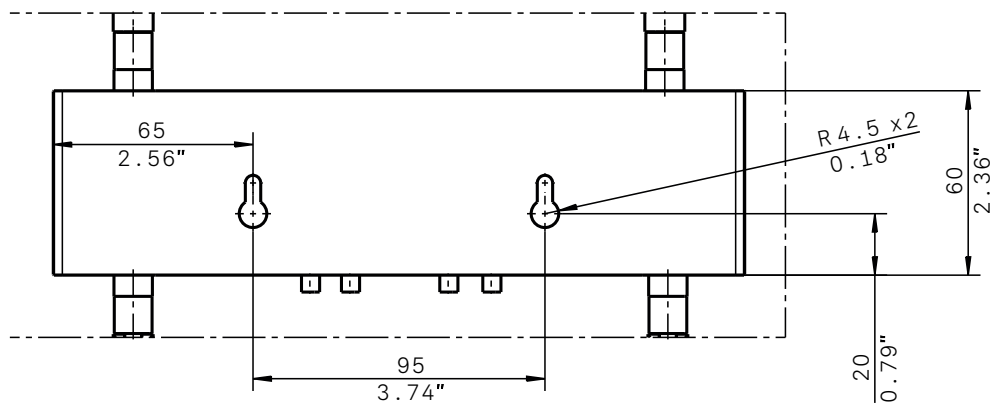
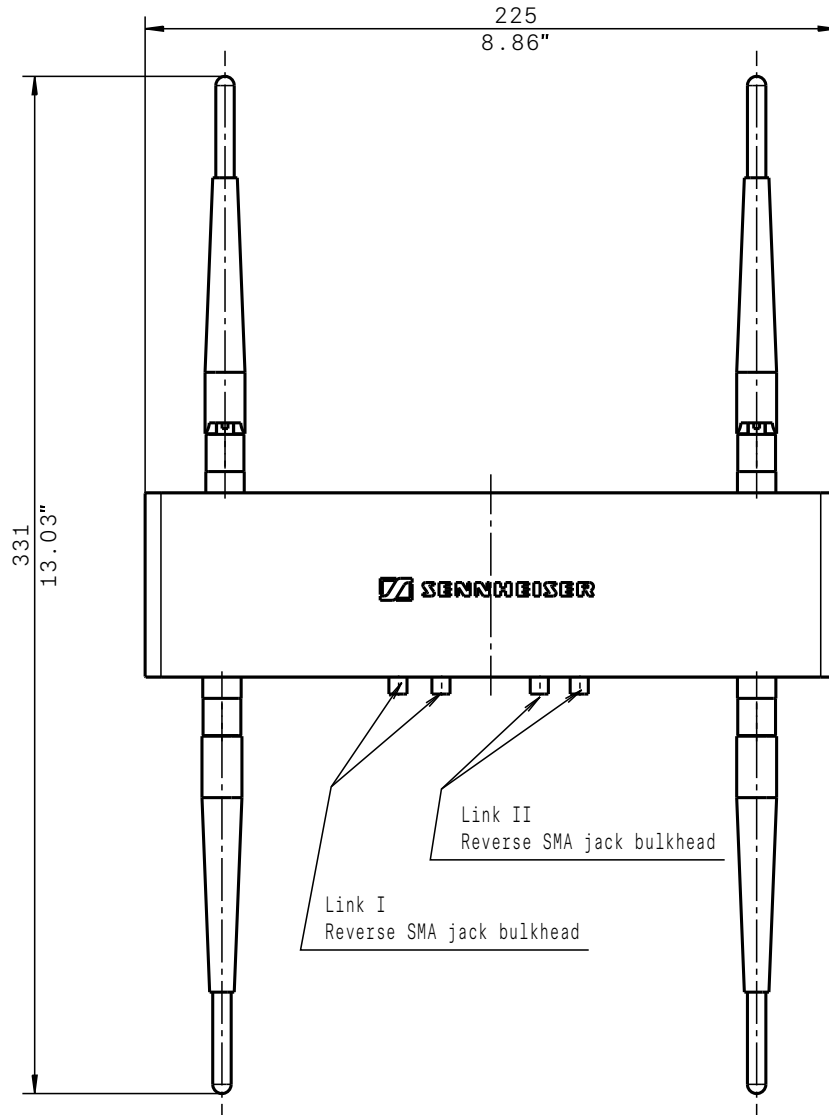
## AWM 2





# SpeechLine Digital Wireless

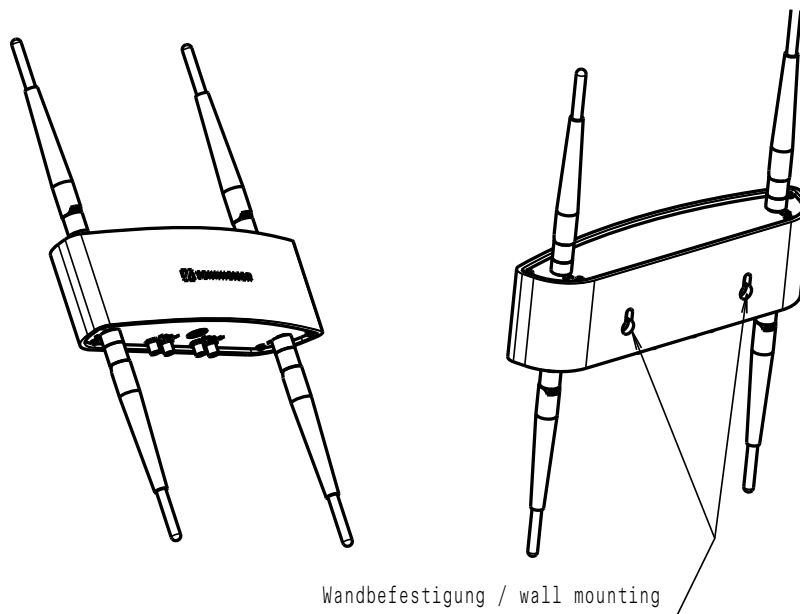
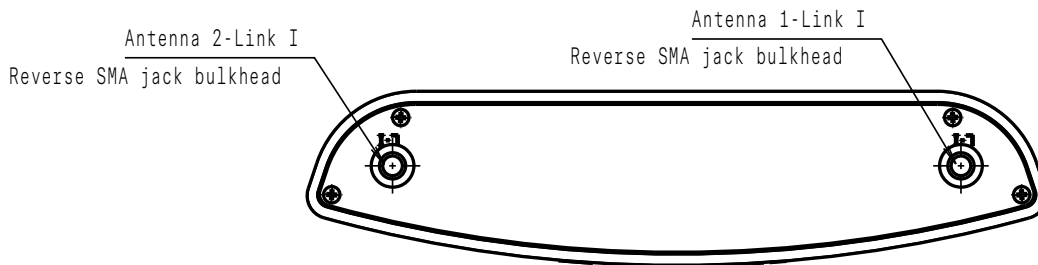
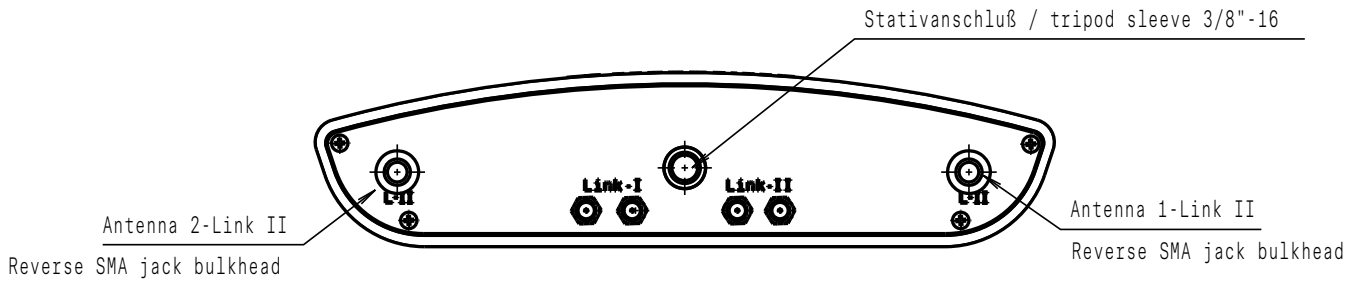
## AWM 4





# SpeechLine Digital Wireless

## AWM 4





# SpeechLine Digital Wireless

## PRODUCT VARIANTS

### Frequency range EU: 1,880 to 1,900 MHz

| Product / Set          | Feature                      | Art. No. | Variant | Countries  |
|------------------------|------------------------------|----------|---------|--|
| SL MCR 2 DW            | 2-channel receiver           | 508849   | -3      | Europe & UK, India, Indonesia, Hong Kong, Singapore, Malaysia, Australia |
| SL MCR 4 DW            | 4-channel receiver           | 508854   | -3      | Europe & UK, India, Indonesia, Hong Kong, Singapore, Malaysia, Australia |
| SL Rack Receiver DW    | EU power supply              | 505882   | -3 EU   | Europe, India, Indonesia   |
|                        | UK power supply              | 505892   | -3 UK   | Hong Kong, Singapore, Malaysia   |
|                        | AU power supply              | 506164   | -3 AU   | Australia  |
| SL Handheld DW         | without microphone capsule   | 505884   | -3 EU   | Europe & UK, India, Indonesia, Hong Kong, Singapore, Malaysia, Australia |
|                        | with e865 microphone capsule | 505885   | -3 EU   | Europe & UK, India, Indonesia, Hong Kong, Singapore, Malaysia, Australia |
| SL Handheld Set DW     | EU power supply / Case       | 505881   | -3 EU C | Europe, India, Indonesia   |
|                        | UK power supply / Case       | 505891   | -3 UK C | Hong Kong, Singapore, Malaysia   |
|                        | AU power supply / Case       | 506163   | -3 AU C | Australia  |
|                        | EU power supply / Rackmount  | 505888   | -3 EU R | Europe, India, Indonesia   |
|                        | UK power supply / Rackmount  | 505895   | -3 UK R | Hong Kong, Singapore, Malaysia   |
|                        | AU power supply / Rackmount  | 506167   | -3 AU R | Australia  |
| SL Bodypack DW         |                              | 505883   | -3 EU   | Europe & UK, India, Indonesia, Hong Kong, Singapore, Malaysia, Australia |
| SL Lavalier Set DW     | EU power supply / Case       | 505879   | -3 EU C | Europe, India, Indonesia   |
|                        | UK power supply / Case       | 505889   | -3 UK C | Hong Kong, Singapore, Malaysia   |
|                        | AU power supply / Case       | 506161   | -3 AU C | Australia  |
|                        | EU power supply / Rackmount  | 505886   | -3 EU R | Europe, India, Indonesia   |
|                        | UK power supply / Rackmount  | 505893   | -3 UK R | Hong Kong, Singapore, Malaysia   |
|                        | AU power supply / Rackmount  | 506165   | -3 AU R | Australia  |
| SL Headmic Set DW      | EU power supply / Case       | 505880   | -3 EU C | Europe, India, Indonesia   |
|                        | UK power supply / Case       | 505890   | -3 UK C | Hong Kong, Singapore, Malaysia   |
|                        | AU power supply / Case       | 506162   | -3 AU C | Australia  |
|                        | EU power supply / Rackmount  | 505887   | -3 EU R | Europe, India, Indonesia   |
|                        | UK power supply / Rackmount  | 505894   | -3 UK R | Hong Kong, Singapore, Malaysia   |
|                        | AU power supply / Rackmount  | 506166   | -3 AU R | Australia  |
| SL Tablestand 133-S DW | black                        | 506610   | -3 EU   | Europe & UK, India, Indonesia, Hong Kong, Singapore, Malaysia, Australia |
| SL TS 133 GN Set DW    | EU power supply              | 506615   | -3 EU   | Europe, India, Indonesia   |
|                        | UK power supply              | 506618   | -3 UK   | Hong Kong, Singapore, Malaysia   |
|                        | AU power supply              | 506621   | -3 AU   | Australia  |
| SL Tablestand 153-S DW | black                        | 506612   | -3 EU   | Europe & UK, India, Indonesia, Hong Kong, Singapore, Malaysia, Australia |
| SL TS 153 GN-L Set DW  | EU power supply              | 506616   | -3 EU   | Europe, India, Indonesia   |
|                        | UK power supply              | 506619   | -3 UK   | Hong Kong, Singapore, Malaysia   |
|                        | AU power supply              | 506622   | -3 AU   | Australia  |
| SL Boundary 114-S DW   | black                        | 506607   | -3 EU   | Europe & UK, India, Indonesia, Hong Kong, Singapore, Malaysia, Australia |





## SpeechLine Digital Wireless

| Product / Set      | Feature         | Art. No. | Variant | Countries                          |
|--------------------|-----------------|----------|---------|------------------------------------|
| SL Boundary Set DW | EU power supply | 506614   | -3 EU   | Europe, India, Indonesia           |
|                    | UK power supply | 506617   | -3 UK   | UK, Hong Kong, Singapore, Malaysia |
|                    | AU power supply | 506620   | -3 AU   | Australia                          |

### Frequency range USA: 1,920 to 1,930 MHz

| Product / Set          | Feature                      | Art. No. | Variant | Countries                  |
|------------------------|------------------------------|----------|---------|----------------------------|
| SL MCR 2 DW            | 2-channel receiver           | 508850   | -4      | USA, Canada, Latin America |
| SL MCR 4 DW            | 4-channel receiver           | 508855   | -4      | USA, Canada, Latin America |
| SL Rack Receiver DW    | EU power supply              | 506171   | -4 EU   | Latin America              |
|                        | US power supply              | 505899   | -4 US   | USA, Canada                |
| SL Handheld DW         | without microphone capsule   | 505902   | -4 US   | USA, Canada, Latin America |
|                        | with e865 microphone capsule | 505901   | -4 US   | USA, Canada, Latin America |
| SL Handheld Set DW     | US power supply / Case       | 505898   | -4 US C | USA, Canada                |
|                        | EU power supply / Case       | 506170   | -4 EU C | Latin America              |
|                        | US power supply / Rackmount  | 505905   | -4 US R | USA, Canada                |
|                        | EU power supply / Rackmount  | 506174   | -4 EU R | Latin America              |
| SL Bodypack DW         |                              | 505900   | -4 US   | USA, Canada, Latin America |
| SL Lavalier Set DW     | US power supply / Case       | 505896   | -4 US C | USA, Canada                |
|                        | EU power supply / Case       | 506168   | -4 EU C | Latin America              |
|                        | US power supply / Rackmount  | 505903   | -4 US R | USA, Canada                |
|                        | EU power supply / Rackmount  | 506172   | -4 EU R | Latin America              |
| SL Headmic Set DW      | US power supply / Case       | 505897   | -4 US C | USA, Canada                |
|                        | EU power supply / Case       | 506169   | -4 EU C | Latin America              |
|                        | US power supply / Rackmount  | 505904   | -4 US R | USA, Canada                |
|                        | EU power supply / Rackmount  | 506173   | -4 EU R | Latin America              |
| SL Tablestand 133-S DW | black                        | 506626   | -4 US   | USA, Canada, Latin America |
| SL TS 133 GN Set DW    | EU power supply              | 506634   | -4 EU   | Latin America              |
|                        | US power supply              | 506631   | -4 US   | USA, Canada                |
| SL Tablestand 153-S DW | black                        | 506628   | -4 US   | USA, Canada, Latin America |
| SL TS 153 GN-L Set DW  | EU power supply              | 506635   | -4 EU   | Latin America              |
|                        | US power supply              | 506632   | -4 US   | USA, Canada                |
| SL Boundary 114-S DW   | black                        | 506623   | -4 US   | USA, Canada, Latin America |
| SL Boundary Set DW     | EU power supply              | 506633   | -4 EU   | Latin America              |
|                        | US power supply              | 506630   | -4 US   | USA, Canada                |



# SpeechLine Digital Wireless

## Frequency range Japan: 1,893 to 1,906 MHz

| Product / Set          | Feature                      | Art. No. | Variant | Countries |
|------------------------|------------------------------|----------|---------|-----------|
| SL MCR 2 DW            | 2-channel receiver           | 508851   | -5      | Japan     |
| SL MCR 4 DW            | 4-channel receiver           | 508856   | -5      | Japan     |
| SL Rack Receiver DW    | US power supply              | 505919   | -5 US   | Japan     |
| SL Handheld DW         | without microphone capsule   | 505922   | -5 US   | Japan     |
|                        | with e865 microphone capsule | 505921   | -5 US   | Japan     |
| SL Handheld Set DW     | US power supply / Case       | 505918   | -5 US C | Japan     |
|                        | US power supply / Rackmount  | 505925   | -5 US R | Japan     |
| SL Bodypack DW         |                              | 505920   | -5 US   | Japan     |
| SL Lavalier Set DW     | US power supply / Case       | 505916   | -5 US C | Japan     |
|                        | US power supply / Rackmount  | 505923   | -5 US R | Japan     |
| SL Headmic Set DW      | US power supply / Case       | 505917   | -5 US C | Japan     |
|                        | US power supply / Rackmount  | 505924   | -5 US R | Japan     |
| SL Tablestand 133-S DW | black                        | 506649   | -5 US   | Japan     |
| SL TS 133 GN Set DW    | US power supply              | 506654   | -5 US   | Japan     |
| SL Tablestand 153-S DW | black                        | 506651   | -5 US   | Japan     |
| SL TS 153 GN-L Set DW  | US power supply              | 506655   | -5 US   | Japan     |
| SL Boundary 114-S DW   | black                        | 506646   | -5 US   | Japan     |
| SL Boundary Set DW     | US power supply              | 506653   | -5 US   | Japan     |

## Frequency range Taiwan 1,880 to 1,895 MHz

| Product / Set          | Feature                      | Art. No. | Variant | Countries |
|------------------------|------------------------------|----------|---------|-----------|
| SL MCR 2 DW            | 2-channel receiver           | 508852   | -6      | Taiwan    |
| SL MCR 4 DW            | 4-channel receiver           | 508857   | -6      | Taiwan    |
| SL Rack Receiver DW    | US power supply              | 505909   | -6 US   | Taiwan    |
| SL Handheld DW         | without microphone capsule   | 505912   | -6 US   | Taiwan    |
|                        | with e865 microphone capsule | 505911   | -6 US   | Taiwan    |
| SL Handheld Set DW     | US power supply / Case       | 505908   | -6 US C | Taiwan    |
|                        | US power supply / Rackmount  | 505915   | -6 US R | Taiwan    |
| SL Bodypack DW         |                              | 505910   | -6 US   | Taiwan    |
| SL Lavalier Set DW     | US power supply / Case       | 505906   | -6 US C | Taiwan    |
|                        | US power supply / Rackmount  | 505913   | -6 US R | Taiwan    |
| SL Headmic Set DW      | US power supply / Case       | 505907   | -6 US C | Taiwan    |
|                        | US power supply / Rackmount  | 505914   | -6 US R | Taiwan    |
| SL Tablestand 133-S DW | black                        | 506639   | -6 US   | Taiwan    |
| SL TS 133 GN Set DW    | US power supply              | 506644   | -6 US   | Taiwan    |
| SL Tablestand 153-S DW | black                        | 506641   | -6 US   | Taiwan    |
| SL TS 153 GN-L Set DW  | US power supply              | 506645   | -6 US   | Taiwan    |
| SL Boundary 114-S DW   | black                        | 506636   | -6 US   | Taiwan    |
| SL Boundary Set DW     | US power supply              | 506643   | -6 US   | Taiwan    |



## SpeechLine Digital Wireless

### Frequency range Brazil 1,910 to 1,920 MHz

| Product / Set          | Feature                      | Art. No. | Variant | Countries |
|------------------------|------------------------------|----------|---------|-----------|
| SL MCR 2 DW            | 2-channel receiver           | 508853   | -7      | Brazil    |
| SL MCR 4 DW            | 4-channel receiver           | 508858   | -7      | Brazil    |
| SL Rack Receiver DW    | BR power supply              | 506703   | -7 BR   | Brazil    |
| SL Handheld DW         | without microphone capsule   | 506705   | -7 BR   | Brazil    |
|                        | with e865 microphone capsule | 506706   | -7 BR   | Brazil    |
| SL Handheld Set DW     | BR power supply / Case       | 506702   | -7 BR C | Brazil    |
|                        | BR power supply / Rackmount  | 506709   | -7 BR R | Brazil    |
| SL Bodypack DW         |                              | 506704   | -7 BR   | Brazil    |
| SL Lavalier Set DW     | BR power supply / Case       | 506700   | -7 BR C | Brazil    |
|                        | BR power supply / Rackmount  | 506707   | -7 BR R | Brazil    |
| SL Headmic Set DW      | BR power supply / Case       | 506701   | -7 BR C | Brazil    |
|                        | BR power supply / Rackmount  | 506708   | -7 BR R | Brazil    |
| SL Tablestand 133-S DW | black                        | 506966   | -7 BR   | Brazil    |
| SL TS 133 GN Set DW    | BR power supply              | 506969   | -7 BR   | Brazil    |
| SL Tablestand 153-S DW | black                        | 506967   | -7 BR   | Brazil    |
| SL TS 153 GN-L Set DW  | BR power supply              | 506970   | -7 BR   | Brazil    |
| SL Boundary 114-S DW   | black                        | 506965   | -7 BR   | Brazil    |
| SL Boundary Set DW     | BR power supply              | 506968   | -7 BR   | Brazil    |



# SpeechLine Digital Wireless

## ACCESSORIES

|                                   |                                       |                 |
|-----------------------------------|---------------------------------------|-----------------|
| <b>SL MCR Wallmount Adapter</b>   | Wallmount adapter for SL MCR DW       | Art. No. 506848 |
| <b>GA 4</b>                       | Rackmount set for SL Rack Receiver DW | Art. No. 505977 |
| <b>AWM 2 MK II</b>                | Wallmount antenna                     | Art. No. 509297 |
| <b>AWM 4</b>                      | Wallmount antenna                     | Art. No. 507358 |
| <b>CL 1 PP</b>                    | Antenna cable 1 m                     | Art. No. 507425 |
| <b>CL 5 PP</b>                    | Antenna cable 5 m                     | Art. No. 507426 |
| <b>CL 10 PP</b>                   | Antenna cable 10 m                    | Art. No. 507427 |
| <b>CL 20 PP</b>                   | Antenna cable 20 m                    | Art. No. 507428 |
| <b>SL Headmic 1 BK</b> - black    | Headworn microphone                   | Art. No. 506271 |
| <b>SL Headmic 1 BE</b> - beige    | Headworn microphone                   | Art. No. 506272 |
| <b>SL Headmic 1 SB</b> - silver   | Headworn microphone                   | Art. No. 506904 |
| <b>SL Headmic 1-4 BK</b> - black  | Headworn microphone                   | Art. No. 506905 |
| <b>SL Headmic 1-4 BE</b> - beige  | Headworn microphone                   | Art. No. 506906 |
| <b>SL Headmic 1-4 SB</b> - silver | Headworn microphone                   | Art. No. 506907 |
| <b>CHG 2 EU</b>                   | 2-bay charger                         | Art. No. 505980 |
| <b>CHG 2 UK</b>                   | 2-bay charger                         | Art. No. 506218 |
| <b>CHG 2 US</b>                   | 2-bay charger                         | Art. No. 506219 |
| <b>CHG 2 AU</b>                   | 2-bay charger                         | Art. No. 506220 |
| <b>CHG 2N EU</b>                  | Network-enabled 2-bay charger         | Art. No. 508985 |
| <b>CHG 2N UK</b>                  | Network-enabled 2-bay charger         | Art. No. 508986 |
| <b>CHG 2N US</b>                  | Network-enabled 2-bay charger         | Art. No. 508987 |
| <b>CHG 2N AU</b>                  | Network-enabled 2-bay charger         | Art. No. 508988 |
| <b>CHG 4N EU</b>                  | Network-enabled 4-bay charger         | Art. No. 506800 |
| <b>CHG 4N UK</b>                  | Network-enabled 4-bay charger         | Art. No. 506801 |
| <b>CHG 4N US</b>                  | Network-enabled 4-bay charger         | Art. No. 506802 |
| <b>CHG 4N AU</b>                  | Network-enabled 4-bay charger         | Art. No. 506803 |
| <b>CHG 2W</b>                     | Wireless Charging Base                | Art. No. 506805 |
| <b>BA 10</b>                      | Rechargeable battery pack             | Art. No. 505972 |
| <b>BA 30</b>                      | Rechargeable battery pack             | Art. No. 505974 |
| <b>BA 40</b>                      | Rechargeable battery pack             | Art. No. 506656 |
| <b>SL PASC 2</b>                  | Passive antenna splitter/combiner     | Art. No. 390040 |
| <b>SL PASC 4</b>                  | Passive antenna splitter/combiner     | Art. No. 390041 |