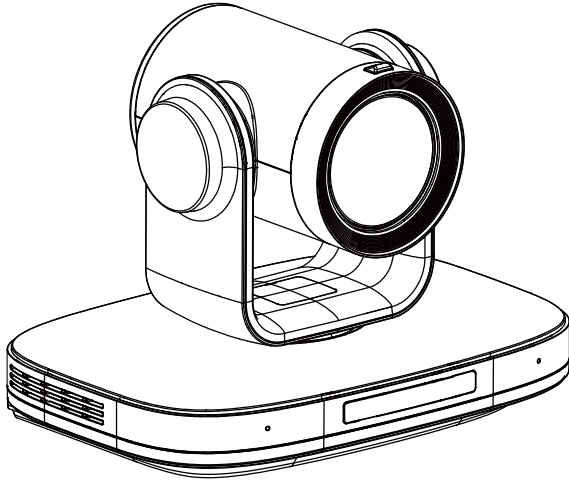


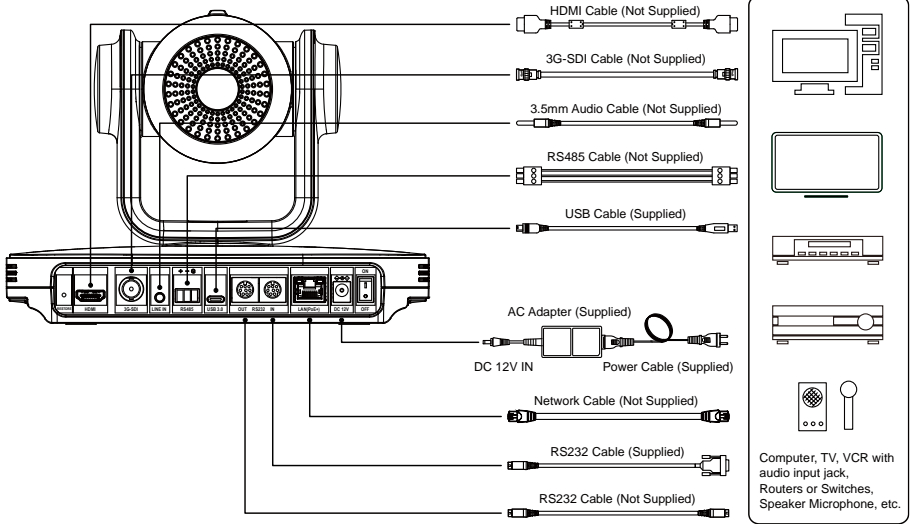
4K Video Conference Camera



Data Sheet
English (V1.0)

1 Ports

1) Please check connections.



2 About Product

2.1 Features

- **AI Intelligent Tracking**

Built-in AI processor, using deep learning technology to use human shape features, no matter where the face is facing, it can achieve smooth automatic tracking of human shape, which is very suitable for automatic target tracking in lectures, lectures, teaching and other scenes.

- **4K Ultra HD**

With a new generation of SONY 1/2.8-inch, maximum 8.40 million pixels high-quality UHD CMOS sensor, 4K (3840x2160) ultra-high resolution images are available. And backward compatible with 1080P, 720P and other resolutions.

- **80° Wide-angle Lens + 12x Optical Zoom**

Exclusively customized high-quality 8 million ultra-high resolution 4K super wide-angle lens, 12x optical zoom, the horizontal field of view up to 80°.

- **HDMI 1.4b**

Support HDMI 1.4b, it can directly output 4KP60 uncompressed digital video.

- **Low Light**

The application of 3D digital noise reduction algorithm greatly reduces image noise. Even under the condition of ultra-low illumination, it still keep the picture clean and clear, and the SNR of image is as high as 55dB.

- **Multiple Interfaces**

It supports HDMI 1.4b HD output and 3G-SDI interface, the effective transmission distance up to 150 meters (1080P30).

- **Remote Control**

Through the RS232 and RS485 serial ports, the camera can be controlled remotely.

- **Intelligent Exposure**

Effectively solve the impact of projection, TV and other equipment on the people who are photographing.

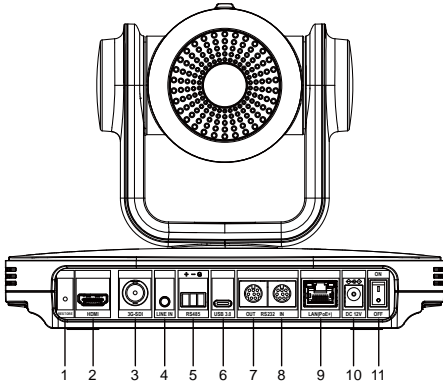
2.2 Product Specification

Camera	
Signal System	HDMI: 4KP25, 4KP30, 4KP50, 4KP60, 4KP59.94, 4KP29.97, 1080P25, 1080P30, 1080P50, 1080P60, 1080P59.94, 1080P29.97, 1080I50, 1080I60, 1080I59.94, 1080I29.97, 720P25, 720P30, 720P50, 720P60 3G-SDI: 1080P25, 1080P30, 1080P50, 1080P60, 1080P59.94, 1080P29.97, 1080I50, 1080I60, 1080I59.94, 1080I29.97, 720P50, 720P60
Sensor	1/2.8 inch, CMOS, Max Effective Pixel: 8.40M
Scanning Mode	Progressive
Lens	12x, f = 3.4mm ~ 41.6mm, F1.8 ~ F3.7
Digital Zoom	16x
Minimum Illumination	0.5 Lux @ (F1.8, AGC ON)
Shutter	1/30s ~ 1/10000s
White Balance	Auto, Indoor, Outdoor, One Push, Manual
Backlight Compensation	Support
Digital Noise Reduction	3D Digital Noise Reduction
Signal Noise Ratio	≥55dB
Horizontal Angle of View	80.8° ~ 7.5°
Vertical Angle of View	49.9° ~ 4.3°
Horizontal Rotation Range	±170°
Vertical Rotation	-30° ~ +90°

Range	
Pan Speed Range	1.7°/s ~ 100°/s
Vertical Rotation Speed Range	1.7°/s ~ 69.9°/s
H & V Flip	Support
Image Freeze	Support
Number of Preset	255
Preset Accuracy	0.1°
USB Features	
Operate System	Windows 7/8/10, Mac OS X, Linux, Android
Color System / Compression	YUY2 / MJPEG / H.264 / H.265
Video Format	<ul style="list-style-type: none"> ● YUY2: max to 1080P@30fps ● H.264 AVC/SVC: max to 2160P@60fps ● H.265 SVC: max to 2160P@30fps ● MJPEG: max to 2160P@30fps
USB Audio	Support
USB Video Protocol	UVC 1.1 ~ 1.5
UVC PTZ	Support
Network Features	
Video Compression	H.264/H.265/MJPEG
Video Stream	First Stream, Second Stream
First Stream Resolution	3840x2160, 1920x1080, 1280x720, 1024x576, 720x480, 720x408, 640x480, 640x360
Second Stream Resolution	720x480, 720x408, 640x480, 640x360, 480x320, 320x240
Bit Rate Control	CBR, VBR
Frame Rate	50Hz: 1fps ~ 50fps, 60Hz: 1fps ~ 60fps
Audio Compression	G711A, AAC
Audio Bit Rate	96K, 128K

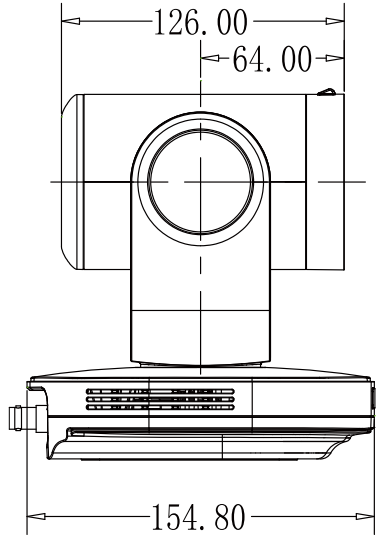
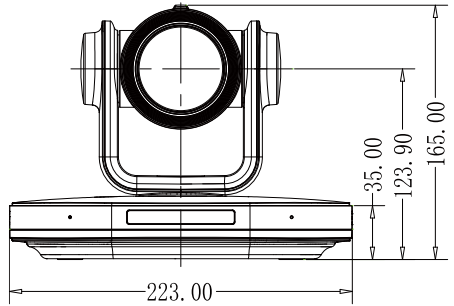
Protocols	NDI® HX2, TCP/IP, HTTP, RTSP, RTMP(S), ONVIF, DHCP, SRT, etc.
Interface / Indicator	
LINE IN Interface	1 x LINE IN: 3.5mm Audio Interface
Communication Interface	1 x RS485: 3pin phoenix port, Max Distance: 1200m, Protocol: VISCA / Pelco-D / Pelco-P
	1 x RS232 OUT: 8pin Min DIN, Max Distance: 30m, Protocol: VISCA network use only
	1 x RS232 IN: 8pin Min DIN, Max Distance: 30m, Protocol: VISCA / Pelco-D / Pelco-P
HDMI Interface	1 x HDMI: Version 1.4b
LAN(PoE+) Interface	1 x RJ45: 10/100/1000M Adaptive Ethernet Port. It supports NDI®, PoE+
USB Interface	1 x USB 3.0: Type-C
3G-SDI Interface	1 x 3G-SDI: BNC type, 800mVp-p, 75Ω. Along to SMPTE 424M standard
RESTORE Button	1 x RESTORE Button
Power Jack	JEITA type (DC IN 12V)
TALLY Indicator	1 x TALLY Indicator
Power Indicator	1 x Power Indicator
Status Indicator	1 x Status Indicator
Physical Parameter	
Input Voltage	DC 12V / PoE (802.3af)
Current Consumption	1.25A (Max)
Operating Temperature	-10°C ~ 40°C
Storage Temperature	-40°C ~ 60°C
Power Consumption	15W (Max)
Size	223 x 154.8 x 165 (mm)
Net Weight	1.8Kg

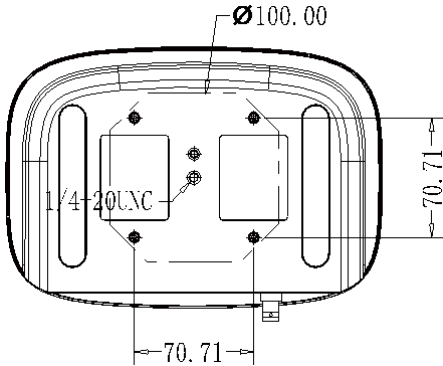
2.3 Interfaces and Buttons



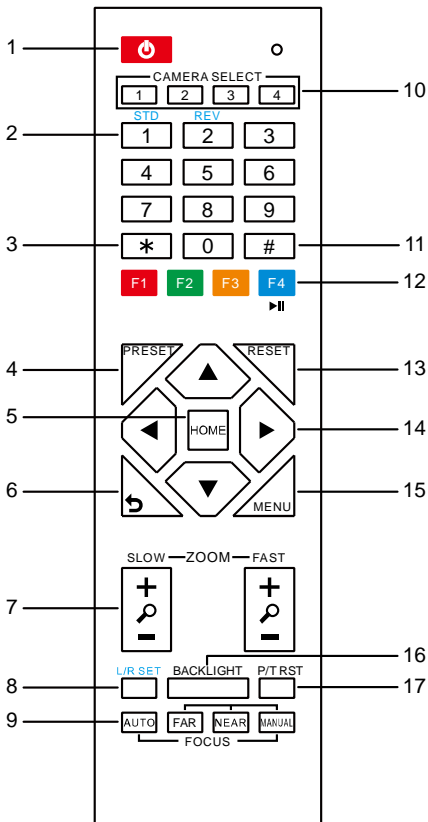
Item	Name
1	RESTORE Button
2	HDMI Interface
3	3G-SDI Interface
4	LINE IN Interface
5	RS485 Interface
6	USB 3.0 Interface
7	RS232 OUT Interface
8	RS232 IN Interface
9	LAN(PoE+) Interface
10	DC 12V Interface
11	ON/OFF Button

2.4 Dimension





2.5 Remote Control



Key Description

1. Standby Key

Press this button to enter standby mode. Press it again to enter normal mode.
 Note: Power consumption in standby mode is approximately half of the normal mode

2. Number Key

To set preset or call preset.

3. *Key

Used with other buttons.

4. Preset Key

Set preset: Store a preset position.
 [SET PRESET] + Numeric button (0-9):
 Setting a corresponding numeric key preset position.

5. HOME Key

Confirm menu, enter the submenu or the PTZ will back to the middle position after pressed it

6. Return Key

Return back the last level menu

7. Zoom Key

Slow Zoom: Zoom In [+] or Zoom Out [-] slowly
 Fast Zoom: Zoom In [+] or Zoom Out [-] fast

8. Left/Right Setting Key

Press with 1 button and 2 button setting the direction of the Pan-Tilt.

- Simultaneously press L/R Set + 1[STD]: set the Pan-Tilt turn the same direction as the L/R Set.
- Simultaneously press L/R Set + 2[REV]: set the Pan-Tilt turn the opposite direction as the L/R Set.

9. Focus Key

Used for focus adjustment.
 Press [AUTO] adjust the focuses on the center of the object automatically.

Press [MANUAL] adjust the focus on the center of the object manual.
 MANUAL button, and adjust it with [Far] (Focus on far object) and [NEAR] (Focus on near object).

10. Selection Key

Press the button corresponding to the camera you want to operate with the remote controller.

11. #Key

Used with other buttons.

12. IR Remote Control Key

[*]+[#]+[F1]: Address 1

[*]+[#]+[F2]: Address 2

[*]+[#]+[F3]: Address 3

[*]+[#]+[F4]: Address 4

13. Reset Key

Clear preset: Erase a preset position.

[CLEAR PRESET] + Numeric button (0-9)

Or: [*]+[#]+[CLEAR PRESET]: Erase all the preset individually.

14. PTZ Control Key

Press arrow buttons to perform panning and tilting. Press [HOME] button to face the camera back to front.

15. Menu Key

MENU: enter or exit OSD MENU.

16. Backlight Key

BLC ON/OFF: Press this button to enable the backlight compensation. Press it again to disable the backlight compensation.

NOTE:

- Effective only in auto exposure mode.
 - If a light behind the subject, the subject will become dark. In this case, press the backlight ON/OFF button. To cancel this function, press backlight ON/OFF button.
-

17. PTZ Reset Key

Preset Pan/Tilt self-test.

18. Image Freezing Function

Manually freeze: Open the freezing function

after press the remote control [F4], display “Freeze” on the left upper corner character, after five seconds display disappear automatically. If you want to cancel the freeze,

press [F4] key and then can return to normal, display “Unfreeze” on the left upper corner, after five seconds display will disappear automatically.

Recalling the Preset image Freeze: By the OSD Menu “Image Freeze” to set recalling the preset image freeze function. After the function is opened, the screen will stay in before Recalling the Preset when Recalling the Preset, the screen can be switched to the preset position screen until the camera points to the preset position.

19. Shortcut Set

[*]+[#]+[1]: OSD menu default English

[*]+[#]+[3]: OSD menu default Chinese

[*]+[#]+[4]: Display current IP address

[*]+[#]+[6]: Quickly recover the default

[*]+[#]+[8]: View the camera version

[*]+[#]+[9]: Quickly set up inversion

[*]+[#]+[MANUAL]: Restore default IP address

CONTACT US

INFOBIT AV

www.infobitav.com

info@infobitav.com