



IQVideo

Lecture Capture System

LCS710

——— Datasheet ———





Video Station



Features

- Multifunctional and highly integrated design, using high-performance and low-power embedded processor, integrating POE one-line communication, audio and video collection, touch screen display, recording and broadcasting, live broadcast, remote interaction and other functions in one device.
- Display touch function; built-in 13.3-inch high-definition LCD touch screen with tempered anti-scratch glass material.
- The device has a built-in audio processing module, no need separated audio system, and the device can realize functions such as automatic sound mixing, noise suppression, and echo cancellation.
- The POE network interface conforms to the 802.3af/at specification. Only one network cable is needed to realize POE power supply, control and video transmission, no extra cables for convenient device installation.
- The device has Virtual Local Area Network technology capable to isolate peripheral devices such as cameras from the external network to release more network resources and reduce the spread of virus through network.
- The device has powerful codec capability, supporting 4K input, 4K output, and 4K recording.
- Support access to EPTZ camera, which can realize panoramic and close-up dual-screen shooting.
- The device supports centralized control and management. All operations including device status check can be achieved through the unified management and control on the web-based platform to reduce the staff's workload.



Video Station

Specifications

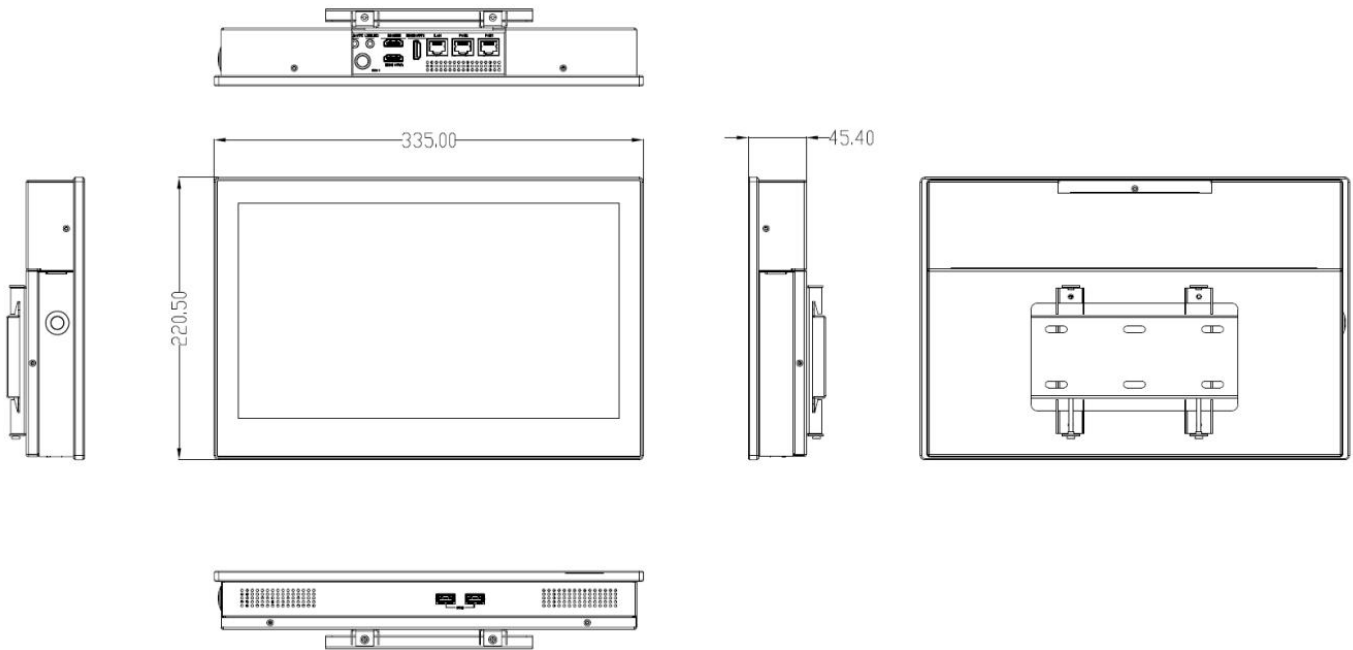
System structure	Embedded Linux system
Display screen	13.3 inches, 1920*1080 resolution, capacitive touch, tempered protective glass;
Video input	1 x HDMI, 5 x network video stream (optional 2 x SDI input interface)
Video output	2 x HDMI
Maximum input resolution	3840*2160
Audio input	1 x 3.5mm line-in interface, 1 x 3.5mm mic-in interface, 2 x MIC interface with 48V phantom power supply
Audio output	1 x 3.5mm line-out interface
Video encoding	H.264
Audio encoding	AAC
Video output format	MP4, TS
Video encoding frame rate	25~30fps
Video bit rate	256kbps~20480Kbps adjustable
Audio bit rate	32~192Kbps adjustable
Data storage	Built-in>=1T storage, support USB export, support FTP upload
Network	5 x RJ45 network ports, 3 of which support POE
Serial port	1 x RS232 serial port
USB interface	3 x USB ports, one of which is CONSOLE
Software upgrade	Support online upgrade and local upgrade
Power parameters	AC 220V



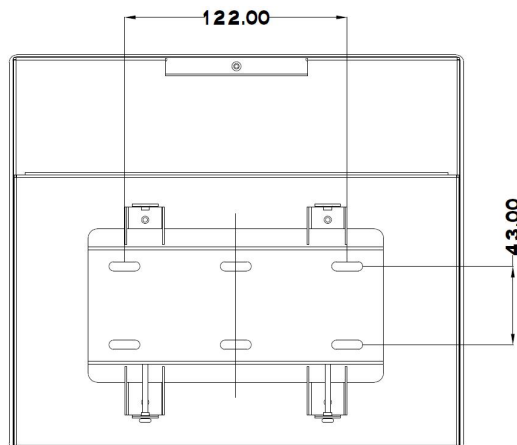


Video Station Dimension (unit: mm)

Video Station Dimension: 335mm*220.5mm*45.4mm



Mounting Hole Dimension: 122mm*43mm





UHD Tracking Camera



Features

The camera adopts an industrial-grade ARM processor with high-performance and low-power feature. It is designed and developed based on a stable embedded Linux operating system. The hardware structure is made of aluminum alloy material, supporting secured wall-mount or ceiling mount installation. The camera has an inbuilt high-sensitivity omnidirectional microphone, which is small in size and can be easily installed and deployed. It incorporates UHD (Ultra High Definition) image collection and analysis, audio collection, audio and video low-latency encoding and transmission.

1. 4K UHD (Ultra High Definition)
 - 840M image sensor with 4K UHD camera lens
 - Dual stream output by default: resolution 1080p; frame rate 30fps
2. Smart Teaching Tracking
 - Built-in image recognition and tracking algorithm enables smooth tracking
 - Support teacher tracking mode and student tracking mode
3. UHD lens
 - Undistorted lens
 - Industrial grade lens with horizontal field of view of 40° /120°
4. EPTZ
 - Support EPTZ (Electronic pan, tilt and zoom)
5. Support PoE
 - Ethernet cable connection, PoE-based power supply, control, video transmission using single Ethernet cable
6. Integrated built-in high-performance omnidirectional microphone pickup



UHD Tracking Camera

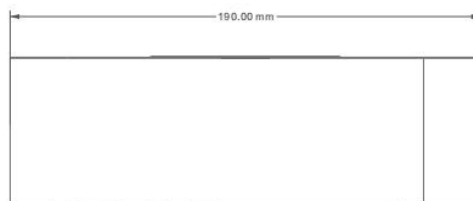
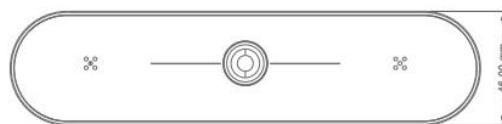
Specifications

Model	C2011
Camera	
Sensor	1/2.8", Effective Pixel: 8.4MP
Scanning Mode	Progressive
Teacher's View	Focal length: f=8mm, H FOV 40°
Students' View	Focal length: f=2.2mm, H FOV 120°
Depth of Field	1-10 meters (for students); 5-12 meters (for teacher)
Shutter	1/25s ~ 1/10000s
White Balance	Auto
Digital Noise Reduction	3D Digital Noise Reduction
Backlight Compensation	Support
EPTZ	Support
Digital Zoom	4x
PoE Power Supply	Support
Auto-Tracking	Teacher Mode/ Student Mode
Audio	Built-in microphone with 6m voice pickup range
Network Features	
Video Compression	H.264
Video Stream	Main stream, sub stream
Panorama Stream Resolution	1920x1080p@25; 1280 x720p@25
Close-up Stream Resolution	1920x1080p@25; 1280 x720p@25

UHD Tracking Camera

Video Bit Rate	512Kbps ~ 10000Kbps
Bit Rate Control	Fixed Bit Rate
Frame Rate	1~25fps
Support protocols	HTTP、UDP、TCP、RTSP、WEBSOCKET
Input/Output Interface	
Network Interface	1xRJ45: 10M/100M Ethernet Interface, Support PoE power supply
USB Interface	TYPE-B; USB2.0
Audio Interface	Phoenix contact (differential analog signal)
General Specifications	
Input Voltage	DC 12V
Operating Temperature	0°C ~ 50°C
Storage Temperature	-10°C ~ +50°C
Power Consumption	<3.5W
Size	190.00mm(W) x 60.00mm(L) x 46.00mm(H)

UHD Tracking Camera Dimension (unit: mm)



Ceiling Microphone



Specifications

Model	A100
Type	Condenser mic
Directivity	Cardioid polar
Sensitivity	-34dB±3dB(0dB=1V/Pa at 1KHz)
Frequency response	30Hz~18KHz
Output impedance	250Ω balanced output
Power supply	48V phantom power supply
Bracket	Aluminum alloy extendable rod bracket

