



KRAMER ELECTRONICS LTD.

USER MANUAL

MODEL:

VP-409
Video to WUXGA Scaler

P/N: 2900-000619 Rev 3

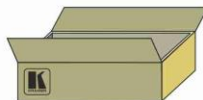


VP-409 Quick Start Guide

This guide helps you install and use your product for the first time. For more detailed information, go to http://www.kramerelectronics.com/support/product_downloads.asp to download the latest manual or scan the QR code on the left.

Step 1: Check what's in the box

- VP-409** Video to WUXGA Scaler
- 4 Rubber feet
- 1 Power supply (5V DC)
- 1 Quick Start sheet



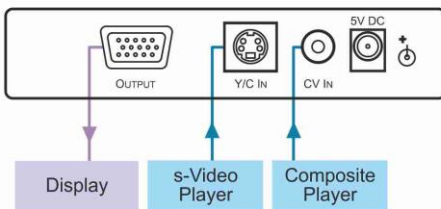
Save the original box and packaging materials in case you need to return your **VP-409** for service.

Step 2: Install the VP-409

Attach the rubber feet and place on a table or mount the **VP-409** in a rack (using an optional **RK-3T** rack mount).

Step 3: Connect the inputs and outputs

Always switch off the power on each device before connecting it to your **VP-409**.



Always use Kramer high-performance cables for connecting AV equipment to the **VP-409**.

Step 4: Connect the power

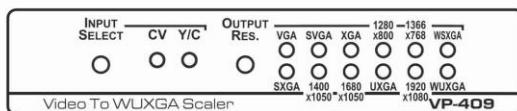
Connect the 5V DC power adapter to the **VP-409** and plug the adapter into the mains electricity.



Step 5: Operate the VP-409

Press the **INPUT SELECT** button to select the desired input

Press the **OUTPUT RES** button to set the desired resolution



Contents

1	Introduction	1
2	Getting Started	2
2.1	Achieving the Best Performance	2
2.2	Safety Instructions	3
2.3	Recycling Kramer Products	3
3	Overview	4
3.1	Defining the VP-409 Video to WUXGA Scaler	4
4	Connecting and Operating the VP-409	6
4.1	Sync Enable/Disable Output Function	7
4.2	OSD Information Enable/Disable Function	7
5	Technical Specifications	8

Figures

Figure 1:	VP-409 Video to WUXGA Scaler	4
Figure 2:	Connecting the VP-409 Video to WUXGA Scaler	6

1 Introduction

Welcome to Kramer Electronics! Since 1981, Kramer Electronics has been providing a world of unique, creative, and affordable solutions to the vast range of problems that confront video, audio, presentation, and broadcasting professionals on a daily basis. In recent years, we have redesigned and upgraded most of our line, making the best even better!

Our 1,000-plus different models now appear in 11 groups that are clearly defined by function: GROUP 1: Distribution Amplifiers; GROUP 2: Switchers and Routers; GROUP 3: Control Systems; GROUP 4: Format/Standards Converters; GROUP 5: Range Extenders and Repeaters; GROUP 6: Specialty AV Products; GROUP 7: Scan Converters and Scalers; GROUP 8: Cables and Connectors; GROUP 9: Room Connectivity; GROUP 10: Accessories and Rack Adapters and GROUP 11: Sierra Products.

Congratulations on purchasing your Kramer **VP-409** *Video to WUXGA Scaler*, which is ideal for the following typical applications:

- Multimedia and presentation applications for projecting a composite video or s-Video source using a data projector, plasma, or TFT flat-screen
- Presentation and conference room systems, boardrooms and auditoriums
- Conversion of composite/YC video to VGA format to use in RGBHV systems
- Rental and staging

2 Getting Started

We recommend that you:

- Unpack the equipment carefully and save the original box and packaging materials for possible future shipment
- Review the contents of this user manual



Go to http://www.kramerelectronics.com/support/product_downloads.asp to check for up-to-date user manuals, application programs, and to check if firmware upgrades are available (where appropriate).

2.1 Achieving the Best Performance

To achieve the best performance:

- Use only good quality connection cables (we recommend Kramer high-performance, high-resolution cables) to avoid interference, deterioration in signal quality due to poor matching, and elevated noise levels (often associated with low quality cables)
- Do not secure the cables in tight bundles or roll the slack into tight coils
- Avoid interference from neighboring electrical appliances that may adversely influence signal quality
- Position your Kramer **VP-409** away from moisture, excessive sunlight and dust



This equipment is to be used only inside a building. It may only be connected to other equipment that is installed inside a building.

2.2 Safety Instructions



Caution: There are no operator serviceable parts inside the unit

Warning: Use only the Kramer Electronics input power wall adapter that is provided with the unit

Warning: Disconnect the power and unplug the unit from the wall before installing

2.3 Recycling Kramer Products

The Waste Electrical and Electronic Equipment (WEEE) Directive 2002/96/EC aims to reduce the amount of WEEE sent for disposal to landfill or incineration by requiring it to be collected and recycled. To comply with the WEEE Directive, Kramer Electronics has made arrangements with the European Advanced Recycling Network (EARN) and will cover any costs of treatment, recycling and recovery of waste Kramer Electronics branded equipment on arrival at the EARN facility. For details of Kramer's recycling arrangements in your particular country go to our recycling pages at <http://www.kramerelectronics.com/support/recycling/>.

3 Overview

The Kramer **VP-409** is a high quality low cost converter for up-scaling composite video and s-Video to up to WUXGA. It accepts PAL-B/D/G/H/I, NTSC 3.58, and NTSC 4.43 video formats. This compact, multi-standard unit has a built-in 3D de-interlacer and a 3D comb-filter that ensures superb quality.

The **VP-409** features:

- Buttons for selecting the input source and the output resolution – indicated by LEDs
- Non-volatile memory that retains the last setting, after switching the power off
- An external DC source, making it suitable for field operation

3.1 Defining the VP-409 Video to WUXGA Scaler

This section defines the **VP-409**.

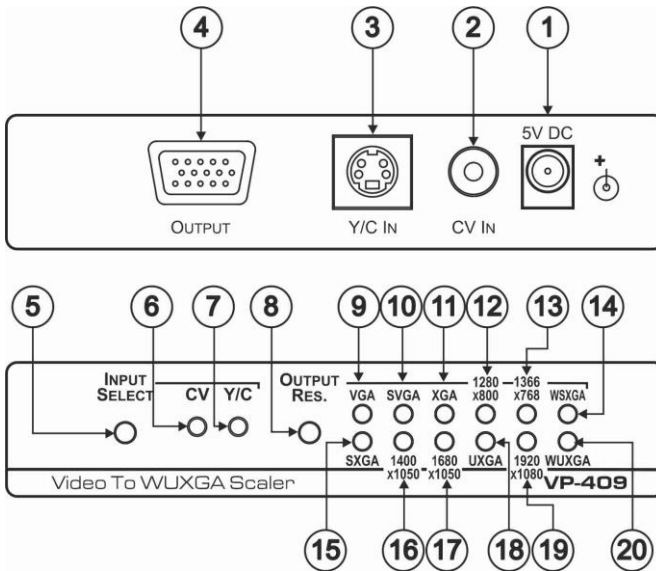


Figure 1: VP-409 Video to WUXGA Scaler

#	Feature	Function
1	5V DC	+5V DC connector for powering the unit
2	CV IN RCA Connector	Connects to a composite video source
3	Y/C IN 4-pin Connector	Connects to an s-Video source
4	OUTPUT 15-pin HD Connector	Connects to the VGA-WUXGA acceptor
5	INPUT SELECT Button	Press to select between inputs
6	CV LED	Illuminates when the CV input is selected
7	Y/C LED	Illuminates when the Y/C input is selected
8	OUTPUT RES. Button	Press to select the desired output resolution
9	VGA LED	Illuminates when the VGA (640x480) resolution is selected
10	SVGA LED	Illuminates when the SVGA (800x600) resolution is selected
11	XGA LED	Illuminates when the XGA (1024x768) resolution is selected
12	1280x800 LED	Illuminates when the 1280x800 (Wide XGA) resolution is selected
13	1366x768 LED	Illuminates when the 1366x768 (WXGA) resolution is selected
14	WSXGA LED	Illuminates when the WSXGA (1440x900) resolution is selected
15	SXGA LED	Illuminates when the SXGA (1280x1024) resolution is selected
16	1400x1050 LED	Illuminates when the 1400x1050 (SXGA+) resolution is selected
17	1680x1050 LED	Illuminates when the 1680x1050 (WSXGA+) resolution is selected
18	UXGA LED	Illuminates when the UXGA (1600x1200) resolution is selected
19	1920x1080 LED	Illuminates when the 1920x1080 (1080p RGB) resolution is selected
20	WUXGA LED	Illuminates when the WUXGA (1920x1200) resolution is selected

4 Connecting and Operating the VP-409



Always switch off the power to each device before connecting it to your **VP-409**. After connecting your **VP-409**, connect its power and then switch on the power to each device.

1. Connect a composite video source to the CV IN RCA connector (for example, a composite video player) and/or an s-Video source (for example, an s-Video player) to the Y/C 4-pin input connector.
2. Connect the OUTPUT 15-pin HD computer graphics video connector to an acceptor (for example, a plasma display).
3. Connect the 5V DC power adapter to the power socket and connect the adapter to the mains electricity (not shown in [Figure 2](#)).
4. Use the:
 - INPUT SELECT button to select the desired input
 - OUTPUT RES. button to select the desired resolution

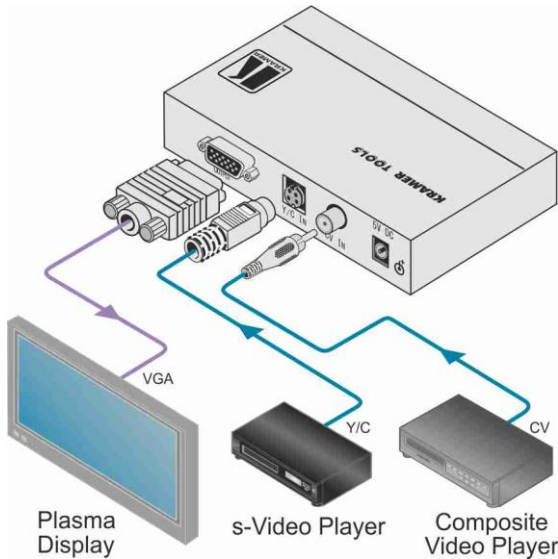


Figure 2: Connecting the VP-409 Video to WUXGA Scaler

4.1 Sync Enable/Disable Output Function

You can setup the unit to automatically disable its sync output signals when no source is connected, so that the display/projector can enter “sleep” mode (that is, turn OFF when no sync is detected).

The syncs are disabled after no video is detected for a period of about 2 minutes.

To toggle between the sync output enable/disable state while no input is connected, do the following:

1. Press and hold the input selection button and connect the power supply cable.
2. Hold the button until one of the input LEDs flashes for a short time (this takes about 12 seconds).

To identify the current status of the unit, disconnect and reconnect the power cable to start up the unit:

- If both INPUT LEDs flash for a short time, the sync output signals are disabled
- If both INPUT LEDs remain ON during unit startup, the sync output signals are enabled

4.2 OSD Information Enable/Disable Function

To toggle between enabling/disabling the OSD information:

1. Press and hold the OUTPUT RES. selection button and connect the power supply cable.
2. Hold the button until all the resolution LEDs flash for a short time. (This takes about 12 seconds).

5 Technical Specifications

INPUTS:	1 CV, 1Vpp/75Ω on an RCA connector 1 Y/C, 1Vpp (Y), 0.3Vpp (C)/75Ω on a 4-pin connector
OUTPUTS:	1 VGA (VGA through WUXGA) on a 15-pin HD computer graphics video connector
OUTPUT RESOLUTIONS:	VGA, SVGA, XGA, 1280x800, 1366x768, WSXGA, SXGA, 1400x1050, 1680x1050, UXGA, 1920x1080, and WUXGA
OUTPUT REFRESH RATE:	60Hz
CONTROLS:	Pushbuttons and LEDs for selection of Input Source and Output Resolution
POWER CONSUMPTION:	5V DC, 550mA
OPERATING TEMPERATURE:	0° to +40°C (32° to 104°F)
STORAGE TEMPERATURE:	-40° to +70°C (-40° to 158°F)
HUMIDITY:	10% to 90%, RHL non-condensing
DIMENSIONS:	12cm x 7.5cm x 2.5cm (4.7" x 2.95" x 0.98", W, D, H)
WEIGHT:	0.3kg (0.67lbs) approx.
ACCESSORIES:	Power supply (5V)
OPTIONS:	RK-3T 19" rack adapter
Specifications are subject to change without notice at http://www.kramerelectronics.com	

LIMITED WARRANTY

The warranty obligations of Kramer Electronics for this product are limited to the terms set forth below.

What is Covered

This limited warranty covers defects in materials and workmanship in this product.

What is Not Covered

This limited warranty does not cover any damage, deterioration or malfunction resulting from any alteration, modification, improper or unreasonable use or maintenance, misuse, abuse, accident, neglect, exposure to excess moisture, fire, improper packing and shipping (such claims must be presented to the carrier), lightning, power surges, or other acts of nature. This limited warranty does not cover any damage, deterioration or malfunction resulting from the installation or removal of this product from any installation, any unauthorized tampering with this product, any repairs attempted by anyone unauthorized by Kramer Electronics to make such repairs, or any other cause which does not relate directly to a defect in materials and/or workmanship of this product. This limited warranty does not cover cartons, equipment enclosures, cables or accessories used in conjunction with this product.

Without limiting any other exclusion herein, Kramer Electronics does not warrant that the product covered hereby, including, without limitation, the technology and/or integrated circuit(s) included in the product, will not become obsolete or that such items are or will remain compatible with any other product or technology with which the product may be used.

How Long Does this Coverage Last

Seven years as of this printing; please check our Web site for the most current and accurate warranty information.

Who is Covered

Only the original purchaser of this product is covered under this limited warranty. This limited warranty is not transferable to subsequent purchasers or owners of this product.

What Kramer Electronics will do

Kramer Electronics will, at its sole option, provide one of the following three remedies to whatever extent it shall deem necessary to satisfy a proper claim under this limited warranty:

1. Elect to repair or facilitate the repair of any defective parts within a reasonable period of time, free of any charge for the necessary parts and labor to complete the repair and restore this product to its proper operating condition. Kramer Electronics will also pay the shipping costs necessary to return this product once the repair is complete.
2. Replace this product with a direct replacement or with a similar product deemed by Kramer Electronics to perform substantially the same function as the original product.
3. Issue a refund of the original purchase price less depreciation to be determined based on the age of the product at the time remedy is sought under this limited warranty.

What Kramer Electronics will not do Under This Limited Warranty

If this product is returned to Kramer Electronics or the authorized dealer from which it was purchased or any other party authorized to repair Kramer Electronics products, this product must be insured during shipment, with the insurance and shipping charges prepaid by you. If this product is returned uninsured, you assume all risks of loss or damage during shipment. Kramer Electronics will not be responsible for any costs related to the removal or re-installation of this product from or into any installation. Kramer Electronics will not be responsible for any costs related to any setting up this product, any adjustment of user controls or any programming required for a specific installation of this product.

How to Obtain a Remedy under this Limited Warranty

To obtain a remedy under this limited warranty, you must contact either the authorized Kramer Electronics reseller from whom you purchased this product or the Kramer Electronics office nearest you. For a list of authorized Kramer Electronics resellers and/or Kramer Electronics authorized service providers, please visit our web site at www.kramerelectronics.com or contact the Kramer Electronics office nearest you.

In order to pursue any remedy under this limited warranty, you must possess an original, dated receipt as proof of purchase from an authorized Kramer Electronics reseller. If this product is returned under this limited warranty, a return authorization number, obtained from Kramer Electronics, will be required. You may also be directed to an authorized reseller or a person authorized by Kramer Electronics to repair the product.

If it is decided that this product should be returned directly to Kramer Electronics, this product should be properly packed, preferably in the original carton, for shipping. Cartons not bearing a return authorization number will be refused.

Limitation on Liability

THE MAXIMUM LIABILITY OF KRAMER ELECTRONICS UNDER THIS LIMITED WARRANTY SHALL NOT EXCEED THE ACTUAL PURCHASE PRICE PAID FOR THE PRODUCT. TO THE MAXIMUM EXTENT PERMITTED BY LAW, KRAMER ELECTRONICS IS NOT RESPONSIBLE FOR DIRECT, SPECIAL, INCIDENTAL OR CONSEQUENTIAL DAMAGES RESULTING FROM ANY BREACH OF WARRANTY OR CONDITION, OR UNDER ANY OTHER LEGAL THEORY. Some countries, districts or states do not allow the exclusion or limitation of relief, special, incidental, consequential or indirect damages, or the limitation of liability to specified amounts, so the above limitations or exclusions may not apply to you.

Exclusive Remedy

TO THE MAXIMUM EXTENT PERMITTED BY LAW, THIS LIMITED WARRANTY AND THE REMEDIES SET FORTH ABOVE ARE EXCLUSIVE AND IN LIEU OF ALL OTHER WARRANTIES, REMEDIES AND CONDITIONS, WHETHER ORAL OR WRITTEN, EXPRESS OR IMPLIED. TO THE MAXIMUM EXTENT PERMITTED BY LAW, KRAMER ELECTRONICS SPECIFICALLY DISCLAIMS ANY AND ALL IMPLIED WARRANTIES, INCLUDING, WITHOUT LIMITATION, WARRANTIES OF MERCHANTABILITY AND FITNESS FOR A PARTICULAR PURPOSE. IF KRAMER ELECTRONICS CANNOT LAWFULLY DISCLAIM OR EXCLUDE IMPLIED WARRANTIES UNDER APPLICABLE LAW, THEN ALL IMPLIED WARRANTIES COVERING THIS PRODUCT, INCLUDING WARRANTIES OF MERCHANTABILITY AND FITNESS FOR A PARTICULAR PURPOSE, SHALL APPLY TO THIS PRODUCT AS PROVIDED UNDER APPLICABLE LAW.

IF ANY PRODUCT TO WHICH THIS LIMITED WARRANTY APPLIES IS A "CONSUMER PRODUCT" UNDER THE MAGNUSON-MOSS WARRANTY ACT (15 U.S.C.A. §2301, ET SEQ.) OR OTHER APPLICABLE LAW, THE FOREGOING DISCLAIMER OF IMPLIED WARRANTIES SHALL NOT APPLY TO YOU, AND ALL IMPLIED WARRANTIES ON THIS PRODUCT, INCLUDING WARRANTIES OF MERCHANTABILITY AND FITNESS FOR THE PARTICULAR PURPOSE, SHALL APPLY AS PROVIDED UNDER APPLICABLE LAW.

Other Conditions

This limited warranty gives you specific legal rights, and you may have other rights which vary from country to country or state to state.

This limited warranty is void if (i) the label bearing the serial number of this product has been removed or defaced, (ii) the product is not distributed by Kramer Electronics or (iii) this product is not purchased from an authorized Kramer Electronics reseller. If you are unsure whether a reseller is an authorized Kramer Electronics reseller, please visit our Web site at www.kramerelectronics.com or contact a Kramer Electronics office from the list at the end of this document.

Your rights under this limited warranty are not diminished if you do not complete and return the product registration form or complete and submit the online product registration form. Kramer Electronics thanks you for purchasing a Kramer Electronics product. We hope it will give you years of satisfaction.



For the latest information on our products and a list of Kramer distributors, visit our Web site where updates to this user manual may be found.

We welcome your questions, comments, and feedback.

Web site: www.kramerelectronics.com

E-mail: info@kramerel.com



SAFETY WARNING

Disconnect the unit from the power supply before opening and servicing



P/N: 2900-000619



Rev: 3